

Hisense

life reimagined

USER'S OPERATION MANUAL

Before operating this unit, please read this manual thoroughly, and retain for future reference

RD-35DCD

English

Contents

Safety and warning information_____	2	Using your appliance _____	15
Installing your new appliance_____	8	Helpful hints and tips _____	17
Reversing the door _____	9	Cleaning and care _____	18
Description of the appliance _____	12	Troubleshooting_____	20
Operation_____	14	Disposal of the appliance_____	21



Safety and warning information

For your safety and correct usage, before installing and first using the appliance, read this user manual carefully, including its hints and warnings. To avoid unnecessary mistakes and accidents, it is important to make sure that all people using the appliance are thoroughly familiar with its operation and safety features. Save these instructions and be sure that they remain with the appliance if it is moved or sold, so that anyone using it throughout its life, will be properly informed on its usage and safety notices.

For the safety of life and property, keep the precautions of these user's instructions as the manufacturer is not responsible for damages caused by omission.

Safety for children and others who are vulnerable people

- According to EN standard

This appliance can be used by children aged from 8 years and above and persons with reduced physical, sensory or mental capabilities or lack of experience and knowledge if they have been given supervision or instruction concerning use of the appliance in a safe way and understand the hazards involved. Children shall not play with the appliance. Cleaning and user maintenance shall not be made by children without supervision.

Children aged from 3 to 8 years are allowed to load and unload refrigerating appliances.

- According to IEC standard

This appliance is not intended for use by persons (including children) with reduced physical, sensory or mental capabilities, or lack of experience and knowledge, unless they have been given supervision or instruction concerning

use of the appliance by a person responsible for their safety. **Children should be supervised to ensure that they do not play with the appliance.**

- Keep all packaging away from children as there is risk of suffocation.
- If you are discarding the appliance, pull the plug out of the socket, cut the connection cable (as close to the appliance as you can) and remove the door to prevent children playing from suffering an electric shock or from closing themselves inside it.
- If this appliance, featuring a magnetic door seals, is to replace an older appliance having a spring lock (latch) on the door or lid, be sure to make the spring lock unusable before you discard the old appliance. This will prevent it from becoming a death trap for a child.

General safety



- **WARNING** — This appliance is intended to be used in household and similar applications such as
 - staff kitchen areas in shops, offices and other working environments;
 - farm houses and by clients in hotels, motels and other residential type environments;
 - bed and breakfast type environments;
 - catering and similar non-retail applications.
- **WARNING** — Do not store explosive substances such as aerosol cans with a flammable propellant in this appliance.
- **WARNING** — If the supply cord is damaged, it must be replaced by the manufacturer, its service agent or similarly qualified persons in order to avoid a hazard.
- **WARNING** — Keep ventilation opening, in the appliance enclosure or in the built-in structure, clear of obstruction.
- **WARNING** — Do not use mechanical devices or other means to accelerate the defrosting process, other than those recommended by the manufacturer.
- **WARNING** — Do not damage the refrigerant circuit.
- **WARNING** — Do not use electrical appliances inside the food storage compartments of the appliance, unless they are of the type recommended by the manufacturer.

- **WARNING** — The refrigerant and insulation blowing gas are flammable. When disposing of the appliance, do so only at an authorized waste disposal centre. Do not expose to flame.
- **WARNING** —When positioning the appliance, ensure the supply cord is not trapped or damaged.
- **WARNING** —Do not locate multiple portable socket-outlets or portable power supplies at the rear of the appliance.
- **WARNING** — Food needs to be packed in bags before putting into the refrigerator, and liquids need to be packed in bottles or capped containers to avoid the problem that the product design structure is not easy to clean.



The symbol  is a warning and indicates the refrigerant and insulation blowing gas are flammable.

Warning: Risk of fire / flammable materials

Replacing the illuminating lamps

- **WARNING**—The illuminating lamps must not be replaced by the user! If the illuminating lamps is damaged, contact the customer helpline for assistance.

This warning is only for refrigerators that contain illuminating lamps.

Refrigerant

The refrigerant isobutene (R600a) is contained within the refrigerant circuit of the appliance, a natural gas with a high level of environmental compatibility, which is nevertheless flammable. During transportation and installation of the appliance, ensure that none of the components of the refrigerant circuit becomes damaged.

The refrigerant (R600a) is flammable.

- **WARNING** — Refrigerators contain refrigerant and gases in the insulation. Refrigerant and gases must be disposed of professionally as they may cause eye injuries or ignition. Ensure that tubing of the refrigerant circuit is not damage prior to proper disposal.

If the refrigerant circuit should be damaged:

- Avoid opening flames and sources of ignition.
- Thoroughly ventilate the room in which the appliance is situated.

It is dangerous to alter the specifications or modify this product in any way.

Any damage to the cord may cause a short circuit, fire, and/or electric shock.



Electrical safety

1. The power cord must not be lengthened.
2. Make sure that the power plug is not crushed or damaged. A crushed or damaged power plug may overheat and cause a fire.
3. Make sure that you can access the main plug of the appliance.
4. Do not pull the main cable.
5. If the power plug socket is loose, do not insert the power plug. There is a risk of electric shock or fire.
6. You must not operate the appliance without the interior lighting lamp cover.
7. The fridge is only applied with power supply of single phase alternating current of 220~240V/50Hz. If fluctuation of voltage in the district of user is so large that the voltage exceeds the above scope, for safety sake, be sure to apply A.C. automatic voltage regulator of more than 350W to the fridge. The fridge must employ a special power socket instead of common one with other electric appliances. Its plug must match the socket with ground wire.

Daily use

- Do not store flammable gases or liquids in the appliance, There is a risk of an explosion.
- Do not operate any electrical appliances in the appliance (e.g. electric ice cream makers, mixers etc.).
- When unplugging always pull the plug from the mains socket, do not pull on the cable.
- Do not place hot items near the plastic components of this appliance.

-
- Do not place food products directly against the air outlet on the rear wall.
 - Store pre-packed frozen food in accordance with the frozen food manufacture's instructions.
 - The appliances manufactures storage recommendations should be strictly adhered to relevant instructions for storage.
 - Do not place carbonated or fizzy drinks in the freeze compartment as it creates pressure on the container, which may cause it to explode, resulting in damage to the appliance.
 - Frozen food can cause frost burns if consumed straight from the freezer compartment.
 - Do not place the appliance in direct sunlight.
 - Keep burning candles, lamps and other items with naked flames away from the appliance so that do not set the appliance on fire.
 - The appliance is intended for keeping food stuff and/or beverages in normal household as explained in this instruction booklet, The appliance is heavy. Care should be taken when moving it.
 - Do not remove nor touch items from the freezer compartment if your hands are damp/wet, as this could cause skin abrasions or frost/freezer burns.
 - Never use the base, drawers, doors etc. to stand on or as supports.
 - Frozen food must not be refrozen once it has been thawed out.
 - Do not consume ice popsicles or ice cubes straight from the freezer as this can cause freezer burn to the mouth and lips.
 - To avoid items falling and causing injury or damage to the appliance, do not overload the door racks or put too much food in the crisper drawers.
 - **This refrigerating appliance is not intended to be used as a built-in appliance.**

Caution!

Care and cleaning

- Before maintenance, switch off the appliance and disconnect the mains plug from the mains socket.
- Do not clean the appliance with metal objects, steam cleaner, ethereal oils, organic solvents or abrasive cleansers.
- Do not use sharp objects to remove frost from the appliance. Use a plastic scraper.

Installation Important!

- For electrical connection carefully, follow the instructions given in this manual.
- Unpack the appliance and check if there are damages on it. Do not connect the appliance if it is damaged. Report possible damages immediately to the place you bought it. In this case retain packing.
- It is advisable to wait at least four hours before connecting the appliance to allow the oil to flow back in the compressor.
- Adequate air circulation should be around the appliance, lacking this leads to overheating. To achieve sufficient ventilation, follow the instructions relevant to installation.
- Wherever possible, the back of the product should not be too close to a wall to avoid touching or catching warm parts (compressor, condenser) to prevent the risk of a fire, follow the instructions relevant to installation.
- The appliance must not be located close to radiators or cookers.
- Make sure that the mains plug is accessible after the installation of the appliance.


Service

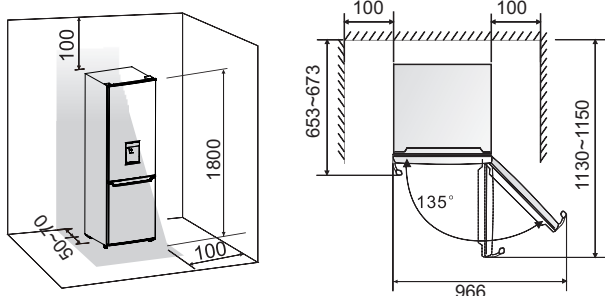
- Any electrical work required to do the servicing of the appliance should be carried out by qualified electrician or competent person.
- This product must be serviced by an authorized Service Center, and only genuine spare parts must be used.
 - 1) If the appliance is Frost Free.
 - 2) If the appliance contains freezer compartment.

Installing your new appliance

Before using the appliance for the first time, you should review the following tips.

Ventilation of appliance

 In order to improve efficiency of the cooling system and save energy, it is necessary to maintain good ventilation around the appliance. For this reason, sufficient clear space should be available around the refrigerator. It is advisable for there to be at least (50-70)mm of space from the back to the wall, at least 100mm from its top, at least 100mm from its side to the wall and a clear space in front to allow the doors to open 135°. Please see the following diagrams.



●Note:

This appliance performs well within the climate class from N to ST showed in the table below.

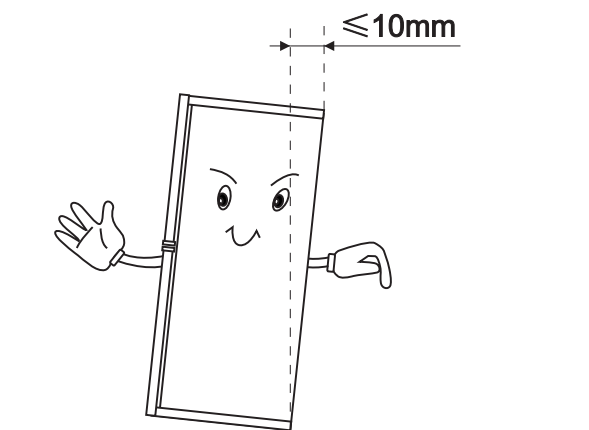
It may not work properly if left at a temperature above or below the indicated range for a long period.

Climate class	Ambient temperature
SN	+10°C to +32°C
N	+16°C to +32°C
ST	+16°C to +38°C
T	+16°C to +43°C

- Stand your appliance in a dry place to avoid moisture damage.
- Keep the appliance out of direct sunlight, rain or frost. Stand the appliance away from heat sources such as stoves, fires or heaters.

Leveling of appliance

- For sufficient leveling and air circulating in the lower rear section of the appliance, the bottom feet may need to be adjusted.
- You can adjust them manually using a suitable spanner. To allow the doors to self-close, tilt the top backwards by about 10mm.

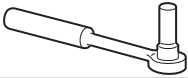
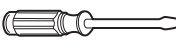

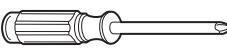


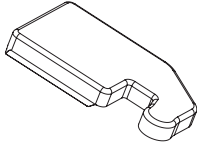


Reversing the door

The side at which the door opens can be changed, from the right side (as supplied) to the left side, if required.

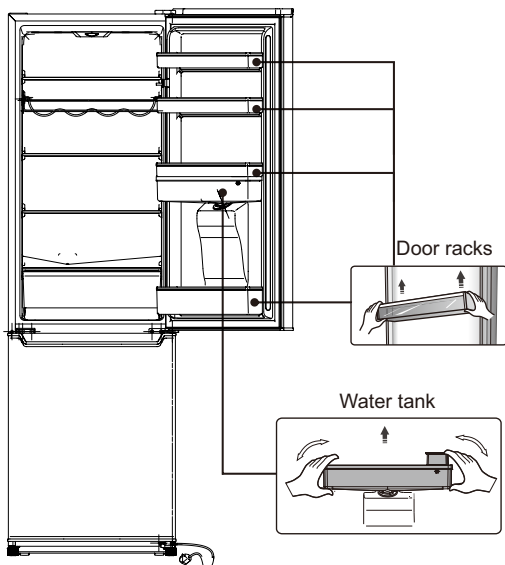
Warning! When reversing the door, the appliance must not be connected to the mains. Ensure that the plug is removed from the mains socket.

Tools you will need

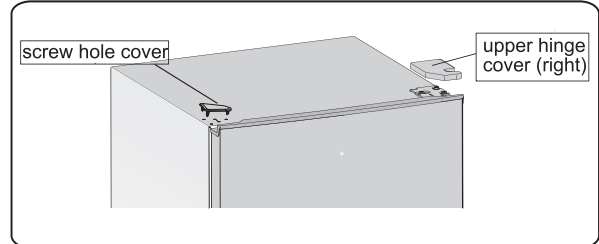
Not provided		
		
8mm socket wrench	Thin-blade screwdriver	Putty knife
		
Cross-shaped screwdriver	Monkey wrench	8mm wrench
Additional parts (in the plastic bag)		
		
Left Hinge Cover		

Note: If required, you may lay the refrigerator on its back in order to gain access to the base, you should rest it on soft foam packaging or similar material to avoid damaging the backboard of the refrigerator. To reverse the door, the following steps are generally recommended.

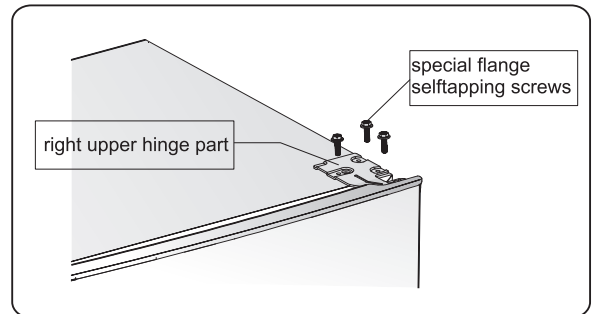
1. Stand the refrigerator upright. Open the upper door to take out all door racks and tank (to avoid damage) and then close the door.



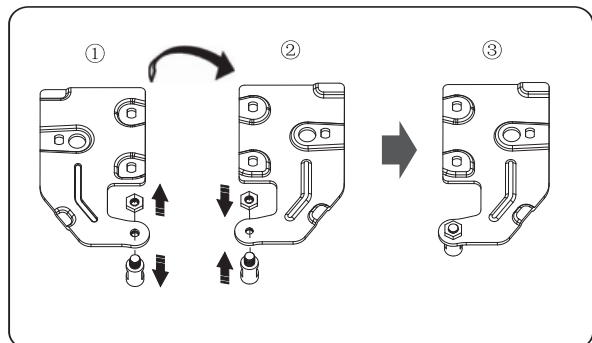
2. Use a putty knife or thin-blade screwdriver to prize the screw hole cover which is at the top left corner of the refrigerator, and the upper hinge cover which is at the top right corner of the refrigerator.



3. Unscrew the special flange self-tapping screws which are used for fixing the right upper hinge part by a 8mm socket driver or a spanner (please support the upper door with your hand when doing it) .

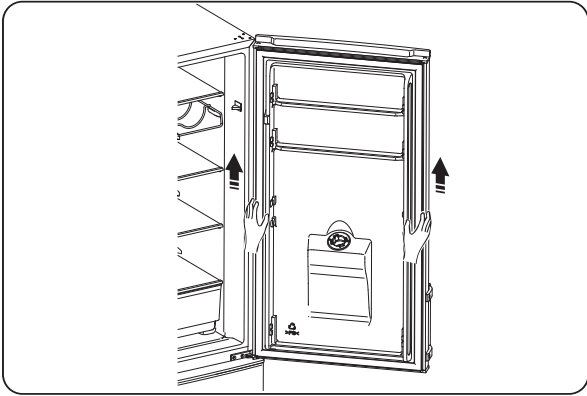


4. Remove the upper hinge axis, transfer it to reversed side and tighten securely, then put it in a safe place.

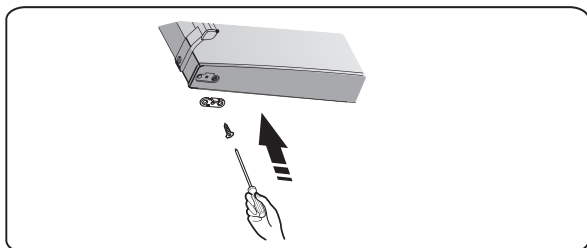
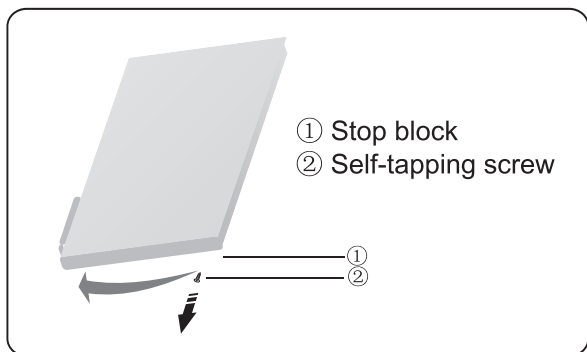


5. Remove the upper door from the middle hinge by carefully lifting the door straight up.

NOTE: When removing the door, watch for washer(s) between the center hinge and the bottom of the freezer door that may stick to the door. Do not lose.

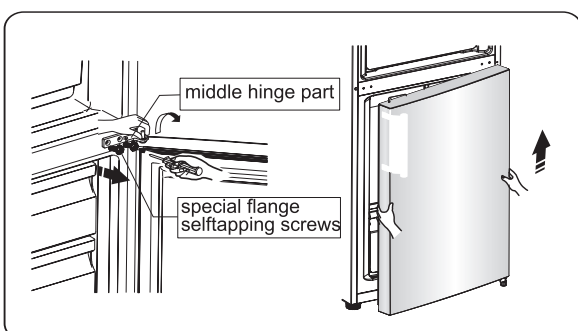


6. Place the upper door on a smooth surface with its panel upwards. Loose screw ② and part ①, then Install them to the left side and tighten securely.

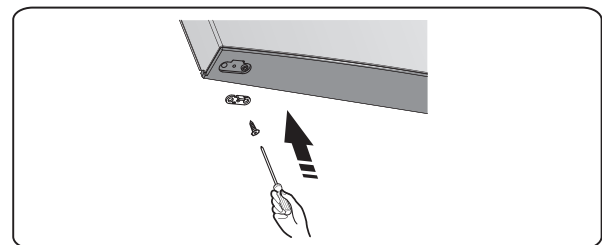
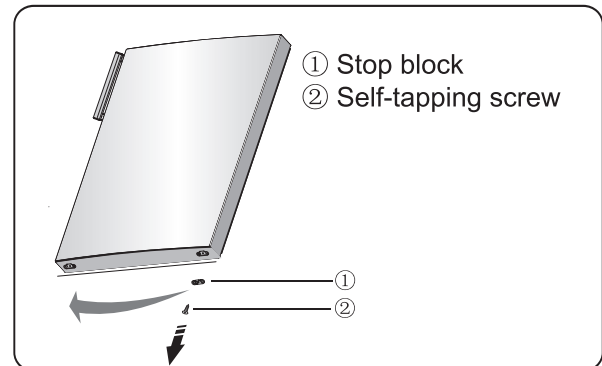


7. Unscrew the two special flange self-tapping screws which are used for fixing the middle hinge part, then remove the middle hinge part that hold the lower door in place.

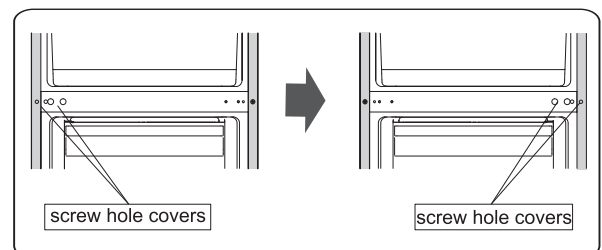
NOTE: When removing the door, watch for washer(s) between the center hinge and the bottom of the freezer door that may stick to the door. Don't lose it.



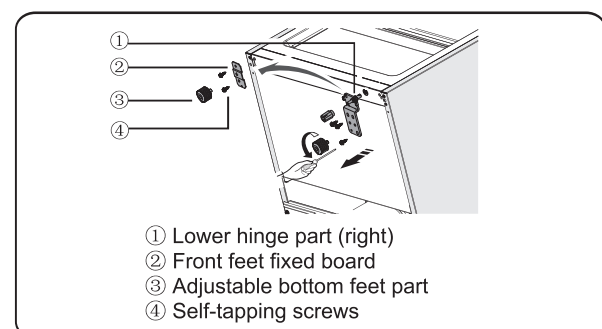
8. Place the lower door on a smooth surface with its panel upwards. Loose screw ② and part ①, then Install them to the left side and tighten securely.



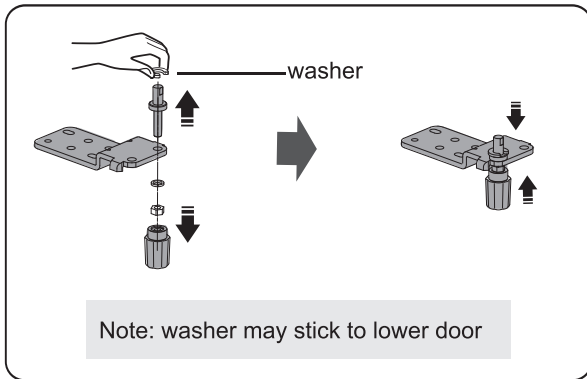
9. Change screw hole covers on middle cover plate from left to right (as shown in figure below).



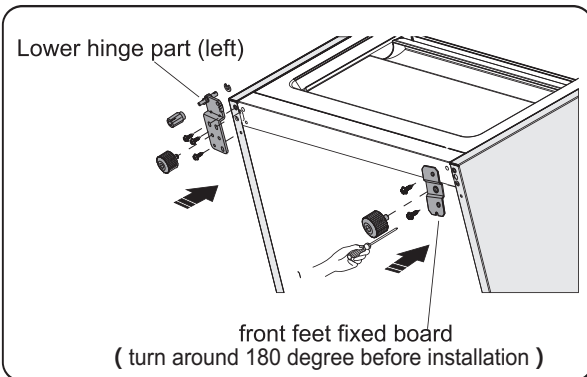
10. Lay the refrigerator on soft foam packaging or similar material. Remove both adjustable bottom feet parts, and remove the front feet board and the lower hinge part by unscrewing the special flange self-tapping screws.



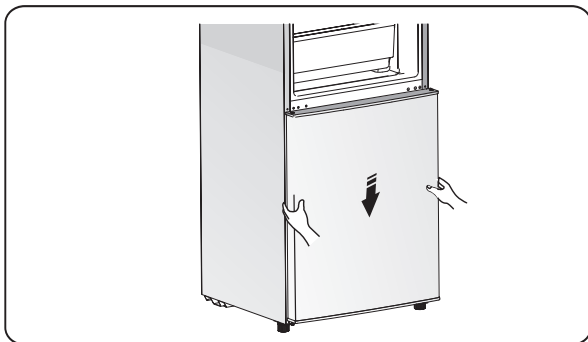
11. Unscrew the bottom hinge axis and remove it to the hole which is side by side and screw it.



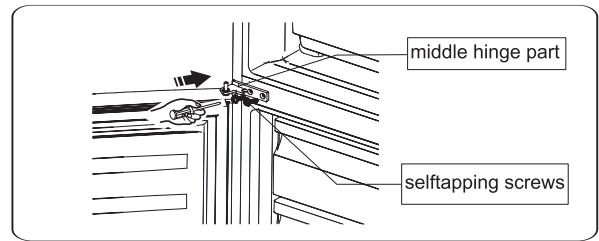
12. Replace the lower hinge part to the left side and fixing it with the special flange self-tapping screws. Replace the front feet fixed board to another side and fixing it with the special flange self-tapping screws. Install the adjustable bottom feet parts.



13. Transfer the lower door to the property position, adjust the lower hinge part, make the hinge axis into the lower hole of the lower door, then tight the bolts.



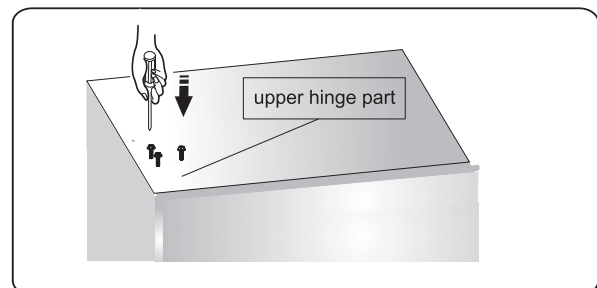
14. Upturn the middle hinge part the direction 180 degree, transfer it and adjust its position, make the middle hinge axis into the upper hole of the lower door, tight the bolts.



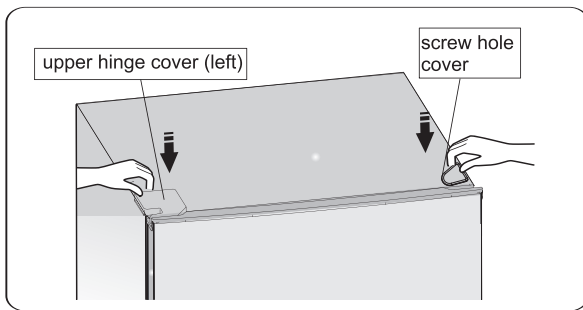
15. Transfer the upper door to the appropriate position. Secure the door's level, make the middle hinge axis into the lower hole of the upper door.



16. Transfer the upper hinge part and make the upper hinge axis into the upper hole of the upper door, and adjust the position of the upper door (please support the upper door with your hand when doing it), fixing the upper hinge part with the special flange self-tapping screws.



17. Install the screw hole cover on the top right corner of the refrigerator. Install the upper hinge cover (which is in the plastic bag) on the left corner. Put the other upper hinge cover into the plastic bag.

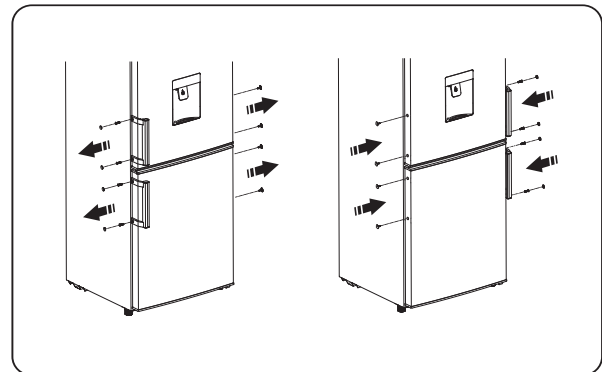


18. Open the upper door and install the door shelves, then close it.

Warning!

When changing the side at which the door opens, the appliance must not be connected to the mains. Remove plug from the mains beforehand.

19. Switch the handles from the left to the right (only for the model with handles).



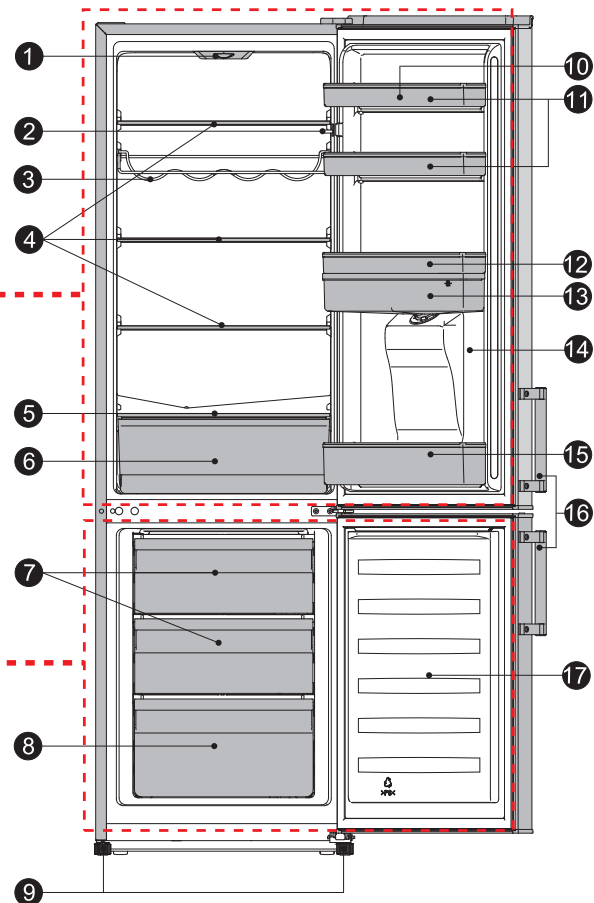
Description of the appliance

1. Controller box and LED light
2. Door switch
3. Bottle rack (optional)
4. Shelf
5. Crisper box cover
6. Crisper drawer
7. Freezer upper drawer
8. Freezer lower drawer
9. Adjustable bottom feet
10. Egg tray (inside; optional)
11. Upper rack
12. Middle rack
13. Water storage box pack
14. Refrigerator door
15. Lower rack
16. Handle part (optional)
17. Freezer door

Fridge

Freezer

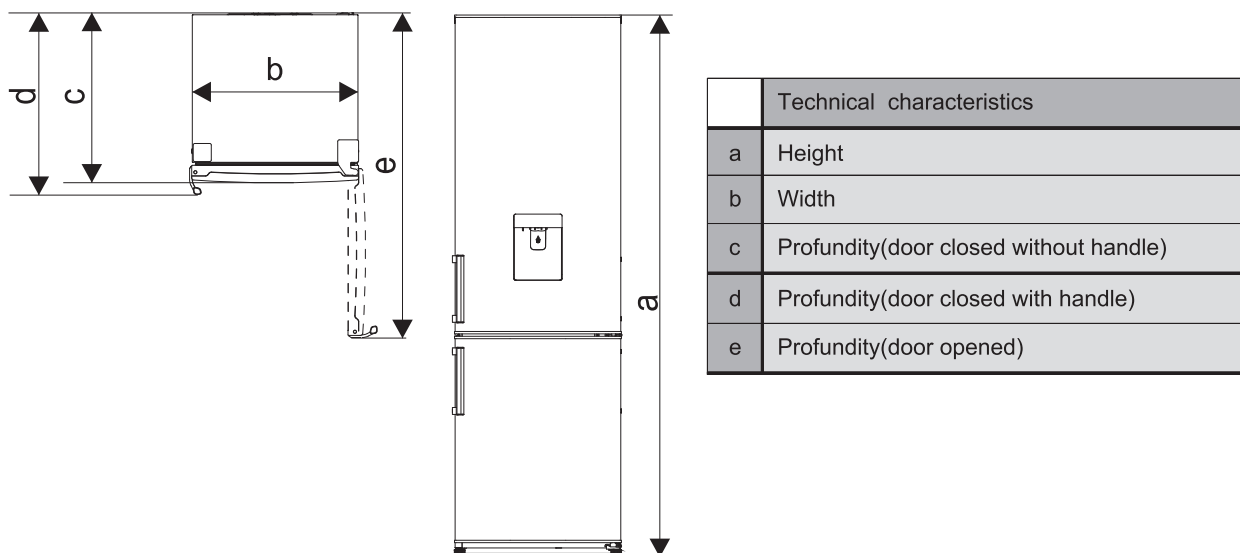
View of the appliance



Note: Due to constant development of our products, your refrigerator may be slightly different from this instruction manual, but its functions and usage remain the same. To get more space in freezer, you can remove drawers (except the bottom freezer drawer), ice tray.

Note: To get the best energy efficiency of this product, please place all shelves, drawers on their original position as the illustration above.

Parameter of appliance	a	b	c	d	e
RB341D4WDF	1800	550	558	/	1065



Note: Parameters provided in table are design parameters. Because of the various reasons, there will be a slight deviation between actual dimension and design parameter. The data listed are only for reference.

Operation

Starting up and temperature regulation

- Insert the plug of the connection lead into the plug socket with protective earth contact. When the refrigerator compartment door is opened, the internal lighting is switched on. After the fridge has been placed in position, wait for 5 minutes before electricity is supplied. Don't store anything until the temperature inside the fridge becomes low enough.
- The temperature selector knob is located on the top of the refrigerator compartment.

Setting 0 means:

Off.

Clockwise rotate the knob to turn on the appliance.

Setting 1 means:

Highest temperature, warmest setting.

Setting 7 (end-stop) means:

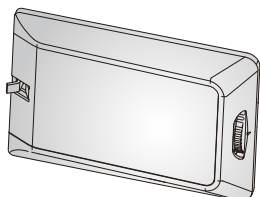
Lowest temperature, coldest setting.

Important! For optimum food preservation, a medium setting is generally the most suitable if you want the temperature higher or colder, please turn the knob to warmer or colder setting accordingly. When you turn the knob to colder which can lead to the more energy efficiency -Otherwise, it would result the energy consuming.

NOTE: High temperature setting will accelerate food waste.

Important! High ambient temperatures (e.g. on hot summer days) and a cold setting (position 6 to 7) may cause the compressor to run continuously or even non-stop!

Reason: when the ambient temperature is high, the compressor must run continuously to maintain the low temperature in the appliance.



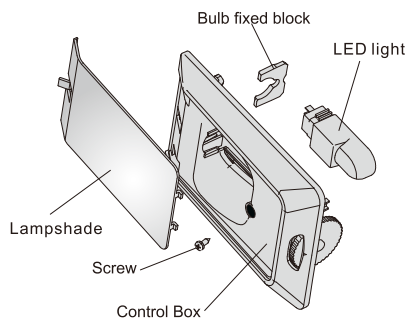
Changing the LED light



Warning! If the LED light is damaged. DO NOT CHANGE IT BY THE USER!

Changing the LED light carried out by inexperienced persons may cause injury or serious malfunctioning. It must be replaced by a qualified persons in order to avoid a hazard. Contact your local Service Force Center for help.

- Before changing the LED light, switch off the appliance and unplug it, or pull the fuse or the circuit breaker.
- LED light data: 220-240V , LED MAX.1.5W.
- To switch off the appliance, set the temperature regulator to position "0".
- Unplug the mains plug.
- Press the Lampshade, and slide it backwards.
- To change the LED light, undo the screw.
- Remove the bulb fixed block, change the defective LED light.
- Refit the bulb fixed block, the Lampshade and the screw.
- Put the refrigerator back into operation.

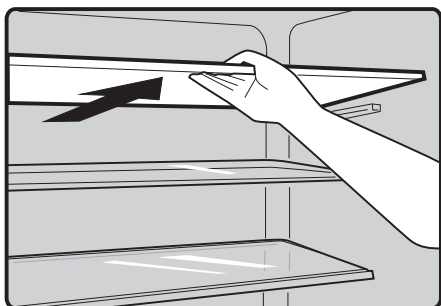


Using your appliance

Accessories 1)

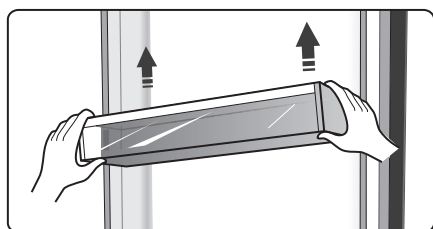
Movable shelves/trays

- Various glass, plastic storage shelves or wire trays are included with your appliance—different models have different combinations and different models have different features.
- The walls of the refrigerator are equipped with a series of runners so that the shelves can be positioned as desired.



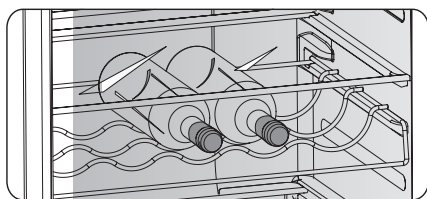
Positioning the door shelves

- To permit the storage of food packages of various sizes, the door shelves can be placed at different heights.
- To adjust, gradually pull the shelf in the direction of the arrows until it comes free, then reposition as required.



Bottle rack (optional)

- It is for storing bottled wine or drinks, and it can be taken out to clean.



Vegetable Drawer

- For storing fruit and vegetables.

Freezer Drawer

- For storing frozen food.

Ice-cube tray

- For making ice and storing ice-cubes.

Refrigerator compartment 2)

- For storing food that does not need to be frozen and different sections suitable for different kinds of food.

Freezer food compartment 2)

- For freezing fresh food and storing frozen and deep-frozen food for long periods of time.

Thawing food 2)

- In the refrigerator compartment.
- At room temperature.
- In a microwave oven.
- In a conventional or convection oven.
- Food once thawed should not be re-frozen.

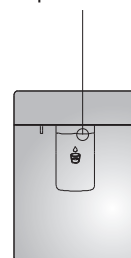
1) If the appliance contains related accessories and functions.

2) If the appliance contains a freezer compartment.

Water Dispenser

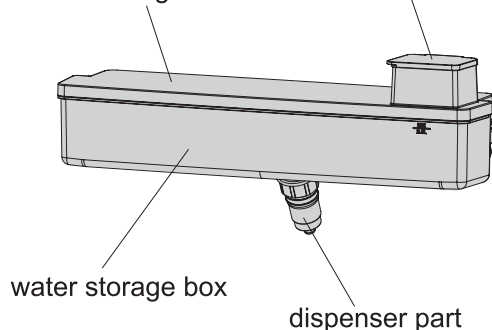
The water dispenser, located in the fridge door, is for storing drinking water. With this appliance you can obtain chilled water easily without opening the refrigerator. You should review of following tips.

Dispenser Pad



water supply inlet cover

water storage box cover

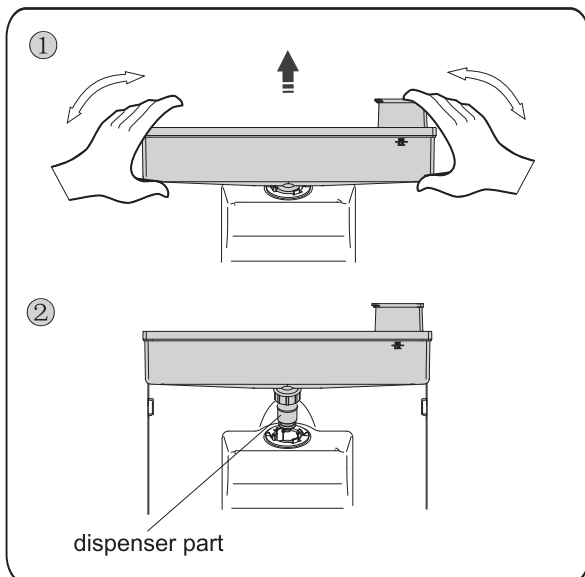


water storage box

dispenser part

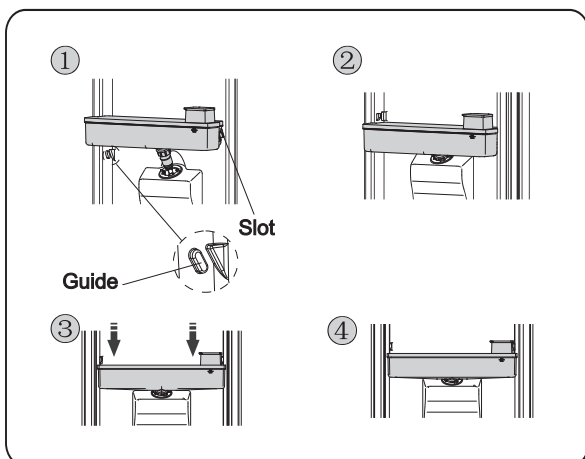
Before using

- Before using this appliance for the first time, you should use it based on following instructions.
 1. Hold the two sides of the water tank tightly, then pull up the water tank by shaking up and down.
 2. Unscrew the head, then clean it and the inside of water tank.



Assembling

- Before assembling, please drain the water inside the tank, and check whether the washer is reversed or not.
 1. Insert the head into the hole.
 2. Fit the tank along the guides on the door.
 3. Press down on the two side of the tank.
 4. When you hear a click sound, that means the installation is completed.

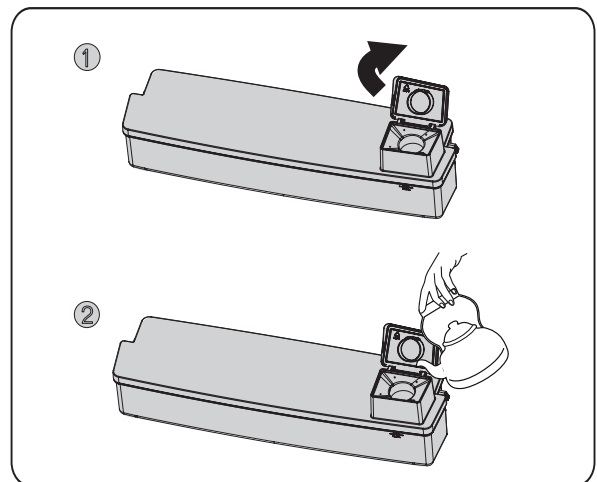


Warning!

1. Be careful not to press on the head.
2. When fitting the water tank, ensure the head inserted into the hole first.

Filling water

1. Open the water supply inlet cover from the left side.
2. Fill the water.



Caution!

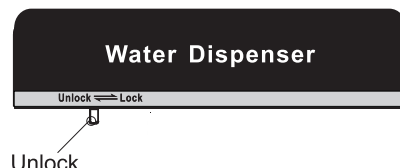
- Fill with water up to 2.5L (which is suggested), and not above the level. Otherwise, it may overflow when the lid is close.
- Other beverage (milk, juice, carbonated beverage etc) is not suggested to be used than potable water. Especially beverage including grain must not be used (may result in failure).
- Hot water can not be filled into the water tank directly.

Warning!

Don't touch other parts of the appliance when filling water, it may cause the water leakage.

Dispensing water

1. Make sure the cover of the water tank is fitted on.
2. Close the fridge door and check the dispenser.



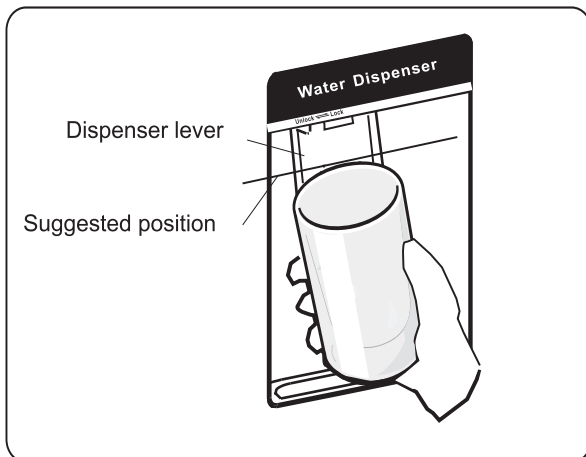
Before you dispense the water, make sure the lock device is on left side, it is meaning unlock situation.

Warning!

The lock is defined as "child lock". Don't push the dispenser lever forward strongly, when the dispenser is on right side, it is meaning lock situation, it may damage the mechanism.

Receiving Water

You should use the correct cups to receive water underneath the water dispenser.

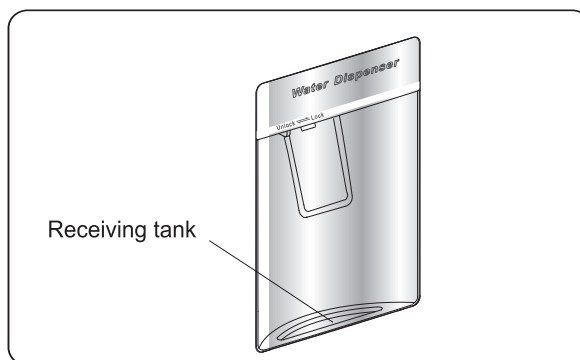


Warning!

Don't push the dispenser lever forward without cup, it may cause the water leak from the dispenser.

Cleaning

1. Put the water tank out of the door carefully, and then wash the tank, lid, and head lightly in water.
2. After you have successfully cleaned the appliance, you should dry it by natural drying or using the dryer.
3. If you have used the water dispenser for many times, the water in the receiving tank may drop on the floor, which may make your floor wet, and you should clean the tank with dry towel regularly before overflow.



Helpful hints and tips

Energy saving tips

- We recommend that you follow the tips below to save energy.
- Try to avoid keeping the door open for long periods.
- Ensure the appliance is away from any sources of heat (Direct sunlight, electric oven or cooker etc).
- Don't set the temperature colder than necessary.
- Don't store warm food or evaporating liquid in the appliance.
- Place the appliance in a well ventilated, humidity free, room. Please refer to Installing your new appliance chapter.
- If the diagram shows the correct combination for the drawers, crisper and shelves, do not adjust the combination as this is designed to be the most energy efficient configuration.

Hints for fresh food refrigeration

- Do not place hot food directly into the refrigerator or freezer, the internal temperature will increase resulting in the

compressor having to work harder and will consume more energy.

- Cover or wrap food, particularly if it has a strong flavor.
 - Place food carefully so that air can circulate freely around it.
- Hints for refrigeration
- Meat (All Types) wrap in polythene food: wrap and place on the glass shelf above the vegetable drawer. Always follow food storage times and use by dates suggested by manufacturers.
 - Cooked food, cold dishes, etc.: They should be covered and may be placed on any shelf.
 - Fruit and vegetables: They should be stored in the special drawer provided.
 - Butter and cheese: Should be wrapped in airtight foil or plastic film wrap.
 - Milk bottles: Should have a lid and be stored in the door racks.

Hints for freezing

- When first starting-up or after a period out of use, let the appliance run at least 2 hours on the higher settings before putting food in the compartment.
- Prepare food in small portions to enable it to be rapidly and completely frozen and to make it possible to subsequently thaw only the quantity required.
- Wrap up the food in aluminum foil or polyethylene food wraps which are airtight.
- Do not allow fresh, unfrozen food to touch the food which is already frozen to avoid temperature rise of the latter.
- Iced products, if consumed immediately after removal from the freezer compartment, will probably cause frost burns to the skin.
- It is recommended to label and date each frozen package in order to keep track of the storage time.

Hints for the storage of frozen food

- Ensure that frozen food has been stored correctly by the food retailer.
- Once defrosted, food will deteriorate rapidly and should not be re-frozen. Do not exceed the storage period indicated by the food manufacturer.

Switching off your appliance

If the appliance needs to be switched off for an extended period, the following steps should be taken to prevent mould on the appliance.

1. Remove all food.
2. Remove the power plug from the mains socket.
3. Clean and dry the interior thoroughly.
4. Ensure that all the doors are wedged open slightly to allow air to circulate.

Cleaning and care

For hygienic reasons the appliance (including exterior and interior accessories) should be cleaned regularly (at least every two months).

Caution! The appliance must not be connected to the mains during cleaning as there is a danger of electrical shock. **Danger of electrical shock!** Before cleaning switch the appliance off and remove the plug from the mains socket.

Exterior cleaning

-Wipe the control panel with a clean, soft cloth.

-Spray water onto the cleaning cloth instead of spraying directly on the surface of the appliance. This helps ensure an even distribution of moisture to the surface.

-Clean the doors, handles and cabinet surfaces with a mild detergent and then wiped dry with a soft cloth.

Caution!

-Don't use sharp objects as they are likely to scratch the

surface.

-Don't use thinner, car detergent, clorox, ethereal oil, abrasive cleansers or organic solvent such as Benzene for cleaning.

They may damage the surface of the appliance and may cause fire.

Interior cleaning

You should clean the appliance interior regularly. Wipe the inside of the fridge freezer with a weak solution of bicarbonate of soda, and then rinse with warm water using a wrung-out sponge or cloth. Wipe completely dry before replacing the shelves and baskets.

Thoroughly dry all surfaces and removable parts.

Although this appliance automatically defrosts, a layer of frost may occur on the freezer compartment's interior frequently or kept open too long. If the frost is too thick, choose a time when the supply of food stocks are low and proceed as follows:

1. Remove existing food and accessories baskets,

unplug the appliance from the mains power and leave the doors open. Ventilate the room thoroughly to accelerate the thawing process.

2. When defrosting is completed, clean your freezer as described above.

Caution! Don't use sharp objects to remove frost from the freezer compartment. Only after the interior is completely dry should the appliance be switched back on and plugged back into the mains socket.

Door seals cleaning

Take care to keep door seals clean. Sticky food and drinks can cause seals to stick to the cabinet and tear when you open the door. Wash seal with a mild detergent and warm water. Rinse and dry it thoroughly after cleaning.

Caution! Only after the door seals are completely dry should the appliance be powered on.

Replacing the LED light:

Warning: The LED light should be replaced by a competent person! If the LED light is damaged, contact the customer helpline for assistance.

Defrosting

Why defrosting

- Water contained in food or getting into air inside the fridge by opening doors may form a frost layer inside. It will weaken the refrigeration when the frost is thick. While it is more than 10mm thick, you should defrost.

Defrosting in fresh food storage compartment

- It is automatically controlled by switching the temperature regulator on or off so that there is no need of operation of defrosting. Water from defrosting will be drained into a drip tray through a drain pipe at the back of the fridge automatically.

Defrosting in frozen-food storage compartment

- Defrosting in freezer chamber is operated manually. Before defrosting, take the food out.

- Take the ice tray and food in drawers out or put them into the fresh food compartment temporarily.
- Set the knob of the temperature regulator to position "0" (where the compressor will stop working) and leave the door of the refrigerator open until ice and frost dissolve thoroughly and accumulation at the bottom of the freezer chamber. Wipe off the water with soft cloth.
- In the case of speeding up the process of defrosting, you may put a bowl of warm water (about 50°C) into the freezer chamber, and scrape away the ice and frost with a defrosting spatula. After doing so, be sure to set the knob of the temperature regulator to the original position.
- It is not advisable to heat the freezer chamber directly with hot water or hair dryer while defrosting to avoid deformation of the inner case.
- It is also not advisable to scrape off ice and frost or separate food from the containers which have been congealed together with the food with sharp tools or wooden bars, so as not to damage the inner casing or the surface of the evaporator.

Warning! Switching off the appliance before defrosting, turn the temperature regulator to position "0".

Important! The fridge should be defrosted at least every one month. During the using process, if the door was opened frequently or using the appliance in the extreme humidity, we advise the user to defrost every two weeks.

Go out of use for a long time

- Remove all refrigerated packages.
 - Switch off the appliance by turning the temperature regulator to position "0".
 - Remove the mains plug or switch off or disconnect the electricity supply.
 - Clean thoroughly (see section: Cleaning and Care).
 - Leave the door open to avoid the build up of odors.
- Note: If the appliance contains freezer compartment.

Troubleshooting

If you experience a problem with your appliance or are concerned that the appliance is not functioning correctly, you can carry out some easy checks according to this section before before calling for service.

Warning! Don't try to repair the appliance yourself. If the problem persists after you have made the checks mentioned below, contact a qualified electrician, authorized service engineer or the shop where you purchased the product.

Problem	Possible cause & Solution
Appliance is not working correctly	Check whether the power cord is plugged into the power outlet properly.
	Check the fuse or circuit of your power supply, replace if necessary.
	The ambient temperature is too low. Try setting the chamber temperature to a colder level to solve this problem.
Odours from the compartments	The interior may need to be cleaned
	Some food, containers or wrapping cause odours.
Noise from the appliance	<p>The sounds below are quite normal:</p> <ul style="list-style-type: none"> ● Compressor running noises. ● Air movement noise from the small fan motor in the freezer compartment or other compartments. ● Gurgling sound similar to water boiling. ● Popping noise during automatic defrosting. ● Clicking noise before the compressor starts.
	<p>Other unusual noises are due to the reasons below and may need you to check and take action:</p> <ul style="list-style-type: none"> ● The cabinet is not level. ● The back of appliance touches the wall. ● Bottles or containers fallen or rolling.
The motor runs continuously	<p>It is normal to frequently hear the sound of the motor, it will need to run more when in following circumstances:</p> <ul style="list-style-type: none"> ● Temperature setting is set colder than necessary ● Large quantity of warm food has recently been stored within the appliance. ● The temperature outside the appliance is too high. ● Doors are kept open too long or too often. ● After your installing the appliance or it has been switched off for a long time.
A layer of frost occurs in the compartment	Ensure food is placed within the appliance to allow sufficient ventilation. Ensure that door is fully closed. To remove the frost, refer to cleaning and care chapter.

Temperature inside is too warm	You may have left the doors open too long or too frequently; or the doors are kept open by some obstacle; or the appliance is located with insufficient clearance at the sides, back and top .
Temperature inside is too cold	Increase the temperature by following the “operation” chapter.
Doors can't be closed easily	Check whether the top of the refrigerator is tilted back by 10-15mm to allow the doors to self close, or if something inside is preventing the doors from closing.
Water drips on the floor	The water pan (located at the rear bottom of the cabinet) may not be properly leveled, or the draining spout under neath the top of the compressor depot may not be properly positioned to direct water into this pan, or the water spout is blocked. You may need to pull the refrigerator away from the wall to check the pan and spout.
The light is not working	<ul style="list-style-type: none"> ● The light may be damaged. Refer to replace lights in operation chapter.

Disposal of the appliance

It is prohibited to dispose of this appliance as household waste.


Packaging materials

Packaging materials with the recycle symbol are recyclable. Dispose of the packaging into a suitable waste collection container to recycle it.

Before disposal of the appliance

1. Pull out the mains plug from the mains socket.
2. Cut off the power cord and discard with the mains plug.

Warning! Refrigerators contain refrigerant and gases in the insulation. Refrigerant and gases must be disposed of professionally as they may cause eye injuries or ignition. Ensure that tubing of the refrigerant circuit is not damage prior to proper disposal.

Correct Disposal of this product	
	<p>This symbol on the product or in its packing indicates that this product may not be treated as household waste. Instead, it should be taken to the appropriate waste collection point for the recycling of electrical and electronic equipment. By ensuring this product is disposed of correctly, you will help prevent potential negative consequences for the environment and human health, which could otherwise be caused by the inappropriate waste handling of this product. For more detailed information about the recycling of this product, please contact your local council your household waste disposal service, or the shop where you purchased the product.</p>

To avoid contamination of food, please respect the following instructions

- Opening the door for long periods can cause a significant increase of the temperature in the compartments of the appliance.
- Clean regularly surfaces that can come in contact with food and accessible drainage systems.
- Clean water tanks if they have not been used for 48 h.
- Store raw meat and fish in suitable containers in the refrigerator, so that it is not in contact with or drip onto other food.
- Two-star frozen-food compartments are suitable for storing pre-frozen food, storing or making icecream and making ice cubes.
- One-, two- and three-star compartments are not suitable for the freezing of fresh food.
- If the refrigerating appliance is left empty for long periods, switch off, defrost, clean, dry, and leave the door open to prevent mould developing within the appliance.

Order	Compartments TYPE	Target storage temp.[°C]	Appropriate food
1	Fridge	+2 ~+8	Eggs, cooked food, packaged food, fruits and vegetables, dairy products, cakes, drinks and other foods are not suitable for freezing.
2	(***)*-Freezer	≤-18	Seafood (fish, shrimp, shellfish), freshwater aquatic products and meat products (recommended for 3 months, the longer the storage time, the worse the taste and nutrition), suitable for frozen fresh food.
3	***-Freezer	≤-18	Seafood (fish, shrimp, shellfish), freshwater aquatic products and meat products (recommended for 3 months, the longer the storage time, the worse the taste and nutrition), are not suitable for frozen fresh food.
4	** -Freezer	≤-12	Seafood (fish, shrimp, shellfish), freshwater aquatic products and meat products (recommended for 2 months, the longer the storage time, the worse the taste and nutrition), are not suitable for frozen fresh food.
5	*-Freezer	≤-6	Seafood (fish, shrimp, shellfish), freshwater aquatic products and meat products (recommended for 1 months, the longer the storage time, the worse the taste and nutrition), are not suitable for frozen fresh food.
6	0-star	-6 ~0	Fresh pork, beef, fish, chicken, some packaged processed foods, etc. (Recommended to eat within the same day, preferably no more than 3 days) . Partially encapsulated processed foods (non-freezable foods)
7	Chill	-2 ~+3	Fresh/frozen pork, beef, chicken, freshwater aquatic products, etc.(7 days below 0 °C and above 0 °C is recommended for consumption within that day, preferably no more than 2 days). Seafood (less than 0 for 15 days, it is not recommended to store above 0 °C)

8	Fresh Food	0 ~+4	Fresh pork, beef, fish, chicken, cooked food, etc. (Recommended to eat within the same day, preferably no more than 3 days)
9	Wine	+5 ~+20	red wine,white wine,sparkling wine etc.

Note: please store different foods according to the compartments or target storage temperature of your purchased products.

- If the refrigerating appliance is left empty for long periods, switch off, defrost, clean, dry, and leave the door open to prevent mould developing within the appliance.

Water dispenser cleaning (special for water dispenser products):

- Clean water tanks if they have not been used for 48 h; flush the water system connected to a water supply if water has not been drawn for 5 days.

Hisense

life reimagined

MANUAL DE FUNCIONAMIENTO DEL USUARIO

Antes de utilizar la unidad, lea detenidamente este manual y consévelo para futuras consultas.

RD-35DCD

Español

Tabla de Contenido

Información de seguridad y advertencia	-2	Usar el aparato	-----16
Instalar el nuevo aparato	-----8	Sugerencias y consejos útiles	-----19
Invertir la puerta	-----9	Limpieza y cuidado	-----20
Descripción del aparato	-----13	Resolución de problemas	-----22
Operación	-----15	Eliminación del aparato	-----24



Información de seguridad y advertencia

Por su propia seguridad y para garantizar un uso correcto, lea detenidamente este manual de usuario así como los consejos y advertencias, antes de instalar y usar por primera vez el aparato. Con el objetivo de evitar errores y accidentes innecesarios, es importante asegurarse de que todos los usuarios del aparato estén familiarizados con su funcionamiento y sus dispositivos de seguridad. Conserve estas instrucciones y asegúrese de que estén incluidas con el aparato si lo traslada o vende, a fin de que cualquier usuario del mismo esté informado debidamente sobre su uso y avisos de seguridad. Para proteger su salud y bienes materiales, siga las precauciones de estas instrucciones ya que de lo contrario el fabricante no se hará responsable de los daños derivados.

Seguridad para niños y otras personas vulnerables

- **Conformidad con las normas EN**
Este aparato puede ser utilizado por los niños de edad desde 8 años y las personas con capacidades reducidas físicas, sensoriales o mentales o falta de experiencia y conocimiento si ellos han sido dados la supervisión o instrucción sobre el uso del aparato en una manera segura y entienden los peligrosos involucrados. Los niños no deberán jugar con el aparato, La limpieza y el mantenimiento del usuario no deben ser llevados a cabo por los niños sin supervisión. Los niños de entre 3 y 8 años pueden meter y sacar objetos de electrodomésticos de refrigeración.
- **Conformidad con las normas IEC**
Este aparato no ha sido diseñado para que lo utilicen personas (incluidos niños) con capacidades físicas, sensoriales o mentales reducidas, o falta de experiencia y conocimientos, a menos que estén supervisados o hayan recibido instrucciones acerca del uso del aparato por parte de una persona responsable de su seguridad. Los niños deben estar supervisados para asegurar que no juegan con el electrodoméstico.

-
- Mantenga todos los embalajes apartados de los niños ya que hay riesgo de asfixia.
 - Si va a desechar el aparato, tire el enchufe macho fuera del tomacorriente, corte el cable de conexión (lo más cerca del aparato como sea posible) y quite la puerta para evitar que los niños la jueguen y protegerlos contra la descarga eléctrica o desde su encierro.
 - Si este aparato, que está equipado con los sellos de puerta magnéticos, es para reemplazar un aparato más viejo que tiene un bloqueo de muelle (pestillo) en la puerta o la tapa, asegúrese de hacer inútil el bloqueo de muelle antes de que deseche el aparato viejo. Eso puede evitar formar la trampa mortal para los niños.


Seguridad general



- **ADVERTENCIA** - Este aparato está diseñado para ser utilizado en el hogar y las aplicaciones similares tales como -Áreas de cocina de personal en tiendas, oficinas y otros entornos de trabajo;
-Casas de la granja y por los clientes en hoteles, moteles y otros entornos de tipo residencial;
-Entornos de tipo cama y desayuno;
-Catering y aplicaciones similares no comerciales.
- **ADVERTENCIA**— No almacene las sustancias explosivas tales como latas de aerosol con un propulsor inflamable en este aparato.
- **ADVERTENCIA**—Si el cable de alimentación está dañado, deberá ser reemplazado por el fabricante, su agente de servicio o las personas similarmente calificadas con el fin de evitar un peligro.
- **ADVERTENCIA**—Mantenga las aperturas de ventilación en la carcasa del aparato o en la estructura construida libres de obstáculos.
- **ADVERTENCIA**—No utilice los dispositivos mecánicos u otros medios para acelerar el proceso de descongelación, con excepción de los recomendados por el fabricante.
- **ADVERTENCIA**—No dañe el circuito de refrigerante.
- **ADVERTENCIA**—No utilice los aparatos eléctricos dentro de los compartimientos de almacenamiento de alimentos del aparato, a menos que sean de tipo recomendado por el fabricante

-
- **ADVERTENCIA**—El refrigerante y el gas de sople de aislamiento son inflamables. Al desechar el aparato, sólo hágalo en un centro autorizado de desecho de basuras. No lo exponga a la llama.
 - **ADVERTENCIA**—Cuando coloque el aparato, asegúrese de que el cable eléctrico no esté atrapado ni dañado.
 - **ADVERTENCIA**—No coloque múltiples tomas eléctricas portátiles ni fuentes de alimentación portátiles en la parte trasera del aparato.
 - **ADVERTENCIA** — **Empaquete los alimentos en bolsas antes de meterlos al refrigerador. Los líquidos deben guardarse en botellas o contenedores con tapa para evitar que problemas, pues el diseño de la estructura no favorece la limpieza.**



El símbolo  es una advertencia e indica que los gases del refrigerador y el aislante son inflamables.
Advertencia: Riesgo de incendio/materiales inflamables.

Sustituir las luces de iluminación

- **ADVERTENCIA:** ¡El usuario no debe sustituir las luces de iluminación! Si una luz de iluminación estuviera dañada, póngase en contacto con la línea de ayuda al cliente.

Esta advertencia es solo válida para refrigeradores que contengan luces de iluminación.

Refrigerante

El refrigerante isobutano (R600a) está dentro del circuito de refrigerante del aparato, un gas natural con alto nivel de compatibilidad medioambiental, aunque es inflamable. Durante el transporte y la instalación de este aparato, asegúrese de que ningún componente del circuito de refrigerante sea dañado.

El refrigerante (R600a) es inflamable.

- **ADVERTENCIA:** Los refrigeradores contienen refrigerante y gases en el aislamiento. El refrigerante y los gases deben eliminarse de forma profesional ya que podrían causar lesiones oculares o ignición. Asegúrese de que los tubos del circuito refrigerante no estén dañados antes de eliminarlo correctamente.

Si el circuito del refrigerante es dañado:

-Evite las llamadas abiertas y fuentes de encendido.

-Ventile completamente la habitación donde se ubica el aparato.

Es peligroso alterar las especificaciones o modificar este aparato en ninguna manera.

Cualquier daño al cable puede causar el cortocircuito, el incendio o la descarga eléctrica.



Seguridad eléctrica

1 El cable de alimentación no deberá ser alargado.

2 Asegúrese de que el enchufe de alimentación no esté aplastado o dañado. Un enchufe de alimentación aplastado o dañado puede sobrecalentar y causar un incendio.

3 Asegúrese de que pueda acceder al enchufe principal del aparato.

4 No tire el cable principal.

5 Si la toma del enchufe de alimentación está floja, no inserte el enchufe de alimentación. Hay un riesgo de descarga eléctrica o incendio.

6 No opere el aparato sin la cubierta interna de la luz de iluminación

7 Este refrigerador sólo se aplica junto con la fuente de alimentación de corriente alternativa monofásica de 220~240V/50Hz. Si la fluctuación del voltaje en el distrito del usuario es demasiado grande y el voltaje excede dicho alcance, para la seguridad, asegúrese de aplicar el regulador de voltaje automático CA de más de 350W para el refrigerador. El refrigerador no deberá utilizar un tomacorriente especial en lugar del común con otros aparatos eléctricos. Si enchufe deberá coincidir con el tomacorriente del cable de tierra.

Uso diario

- No almacene los gases o líquidos inflamables en el aparato, hay riesgo de explosión.
- No opere ningún aparato eléctrico en el aparato (por ejemplo, máquina eléctrica de helados, mezcladores, etc.).
- Durante el desenchufe, siempre tire el enchufe macho desde el tomacorriente, no tire el cable.
- No coloque los ítems calientes cerca de los componentes de plástico de este aparato.
- No coloque los productos de alimento directamente contra la salida de aire en la pared trasera.

-
- Almacene los alimentos congelados pre-empaquetados de acuerdo con las instrucciones del fabricante de alimentos congelados.
 - Las recomendaciones de almacenamiento de los fabricantes de aparatos deberán ser estrictamente cumplidas. Refiérase a las instrucciones relevantes para el almacenamiento.
 - No coloque las bebidas carbonatadas o gaseosas en el compartimiento de congelación ya que el cual crea presión en el contenedor, que puede causar su explosión, resultado en el daño al aparato.
 - Los alimentos congelados pueden causar quemaduras por congelación si son consumidos directamente desde el compartimiento del congelador.
 - No coloque el aparato bajo la luz solar directa.
 - Mantenga las velas de quema, las lámparas u otros ítems con llamas abiertas apartados del aparato para que el aparato no se encienda.
 - Este aparato está diseñado para preservar los alimentos y/o bebidas en el hogar normal como se explica en el manual de instrucciones. Este aparato es pesado, se deberá tener cuidado al moverlo.
 - No mueva ni toque los ítems desde el compartimiento de congelador si sus manos están húmedas/mojadas, ya que eso puede causar las abrasiones en la piel o las quemaduras por escarcha/congelación.
 - Nunca se mantenga de pie sobre la base, los cajones, las puertas, etc. ni los utilice como soportes.
 - Los alimentos congelados no deben ser recongelados una vez que hayan sido descongelados.
 - No consuma los helados o cubitos de hielo directamente desde el congelador ya que eso puede causar quemadura a la boca y los labios por el congelador.
 - Para evitar la caída de objetos o causar lesión o daño al aparato, no sobrecargue los estantes en la puerta ni coloque demasiados alimentos en los cajones de verdura.
 - El compartimiento de refrigeración no está indicado para usarse como un electrodoméstico integrado.

¡Precaución!

Cuidado y limpieza

- Antes del mantenimiento, apague el aparato y desconecte el enchufe macho desde el tomacorriente.
- No limpie el aparato con los objetos metálicos, limpiador de vapor, aceites etéreos, disolventes orgánicos ni limpiadores abrasivos.
- No utilice los objetos afilados para eliminar las escarchas desde el aparato. Utilice un raspador de plástico.

¡Importante para instalación!

- Para la conexión eléctrica cuidadosa, siga las instrucciones dadas en este manual.
- Desembale el aparato y verifique si hay daños en el cual. No conecte el aparato si está dañado. Informe los daños posibles al lugar donde compró el producto inmediatamente. En este caso, retenga el embalaje.
- Es aconsejable esperar durante por lo menos cuatro horas antes de conectar con el aparato con el fin de permitir el reflujo del aceite al compresor
- La circulación adecuada de aire deberá estar alrededor del aparato, la falta de esa puede causar el sobrecalentamiento. Para lograr suficiente ventilación, siga las instrucciones relacionadas con la instalación.
- Cuando sea posible, la parte trasera del producto no debe estar demasiado cerca de una pared para evitar que toque o toque piezas calientes (compresor, condensador) para evitar el riesgo de incendio, siga las instrucciones pertinentes a la instalación.
- El aparato no deberá ubicarse cerca de los radiadores u hornos.
- Asegúrese de que el enchufe macho sea accesible después de la instalación del aparato.


Servicio

- Cualquier trabajo eléctrico requerido durante el mantenimiento del aparato deberá ser llevado a bajo por el electricista cualificado o la persona competente.
- Este producto deberá ser mantenido por un centro autorizado de servicios y sólo se deberá utilizar los repuestos genuinos.
 - 1) Si el aparato es libre de escarchas.
 - 2) Si el aparato contiene el compartimiento de congelador.

Instalar el nuevo aparato

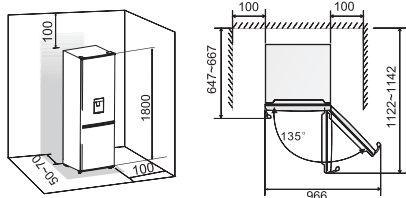
Antes de usar el aparato por primera vez, debe revisar los siguientes consejos.

Ventilación del aparato

 Para mejorar la eficacia del sistema refrigerante y ahorrar energía, es necesario mantener

una buena ventilación alrededor del aparato. Por este motivo, debe haber disponible suficiente espacio libre alrededor del refrigerador.

Se recomienda que haya al menos 50-70 mm de espacio entre la parte trasera y la pared, al menos 100 mm encima, al menos 100 mm desde el lado a la pared y un espacio libre delante que permita abrir las puertas en 135°. Consulte los siguientes diagramas.



● Nota:

Este aparato funciona bien en las clases de clima de N a ST mostradas en la tabla siguiente.

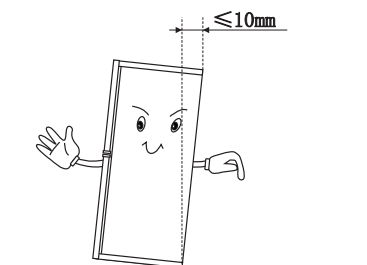
Es posible que no funcione correctamente si se deja a una temperatura superior o inferior al rango indicado durante mucho tiempo.

Clase de clima	Temperatura ambiental
SN	+10°C to +32°C
N	+16°C to +32°C
ST	+16°C to +38°C
T	+16°C to +43°C

- Coloque el aparato en un lugar seco para evitar daños por la humedad.
- Mantenga el aparato apartado de la luz directa del sol, de la lluvia o de la escarcha. Coloque el aparato alejado de fuentes de calor, como estufas, fuegos o calentadores.

Estabilización del aparato

- Para una estabilización y una circulación de aire suficientes en la sección trasera inferior del aparato, es posible que sea necesario ajustar las patas inferiores.
- Puede ajustarlas manualmente usando una llave adecuada. Para permitir que las puertas se cierren solas, incline la parte superior hacia atrás aproximadamente 10 mm.



Invertir la puerta

Es posible cambiar el lado en el que se abre la puerta, desde el lado derecho (como se suministra) al lado izquierdo, si fuera necesario.

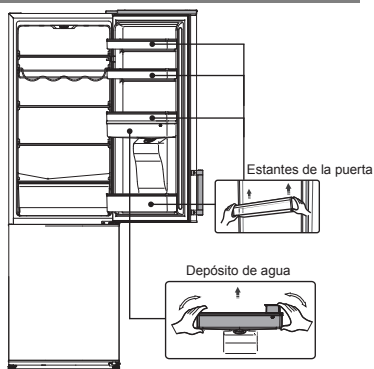
¡Advertencia! Al invertir la puerta, el aparato no debe estar conectado a la corriente. Asegúrese de desenchufar el enchufe de la toma de corriente.

Herramientas que necesitará

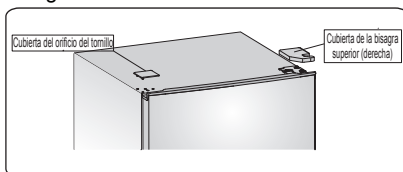
No incluidas		
		
Llave tubular de 8 mm	Destornillador plano	Espátula
		
Destornillador de estrella	Llave inglesa	Llave de 8 mm
Piezas adicionales (en la bolsa de plástico)		
		
Tapa de la bisagra izquierda		

Nota: Si es necesario que tumbe el refrigerador sobre su parte trasera para poder acceder a la base, debe colocarlo sobre embalaje de espuma suave o material similar para evitar daños en el panel trasero del refrigerador. Para invertir la puerta, se recomienda seguir estos pasos.

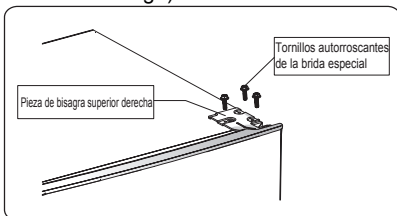
1. Coloque el refrigerador verticalmente. Abra la puerta superior para sacar todos los estantes de la puerta y el depósito (para evitar daños) y, a continuación, cierre la puerta.



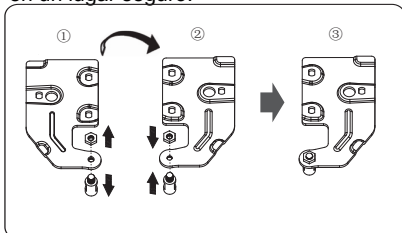
2. Utilice una espátula o un destornillador plano para levantar la cubierta del orificio del tornillo que hay en la esquina superior izquierda del refrigerador y la cubierta de la bisagra superior que hay en la esquina superior derecha del refrigerador.



3. Desatornille los tornillos autorroscantes de la brida especial que se usan para fijar la pieza de bisagra superior derecha con un destornillador o una llave de 8 mm (sujete la puerta superior con la mano mientras lo haga).

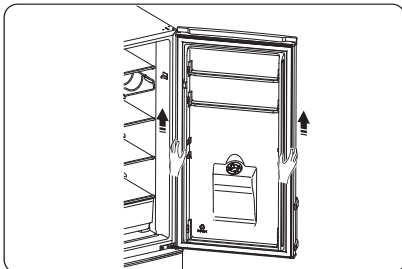


4. Retire el eje de la bisagra superior, cámbielo al lado opuesto y apriételo firmemente. A continuación, colóquelo en un lugar seguro.

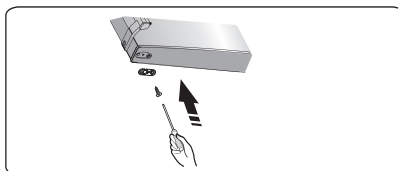
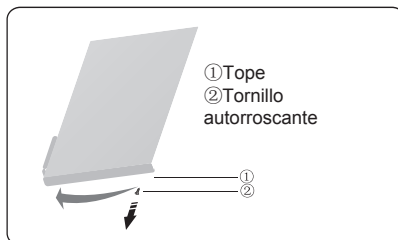


5. Retire la puerta superior desde la bisagra central levantando cuidadosamente la puerta.

NOTA: Al retirar la puerta, vigile la/s arandela/s entre la bisagra central y la parte inferior del congelador que podrían quedar enganchadas en la puerta. No la/s pierda.

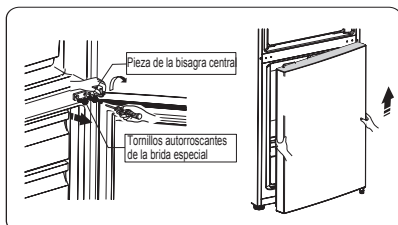


6. Coloque la puerta superior sobre una superficie suave con el panel hacia arriba. Afloje el tornillo ② y la pieza ① y, a continuación, instálelos en el lado izquierdo y apriételos de forma segura.

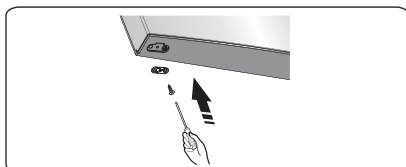
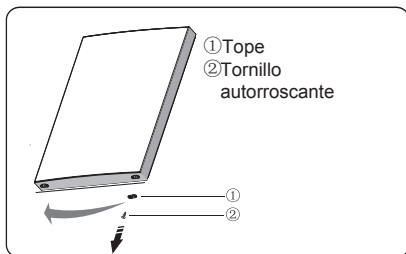


7. Desatornille los dos tornillos autorroscantes de la pieza de la bisagra central y, a continuación, retire la pieza de la bisagra central que sujeta la puerta inferior.

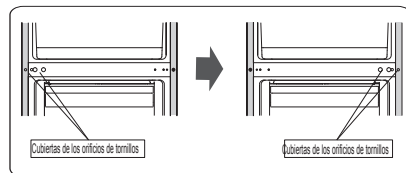
NOTA: Al retirar la puerta, vigile la/s arandela/s entre la bisagra central y la parte inferior del congelador que podrían quedar enganchadas en la puerta. No la/s pierda.



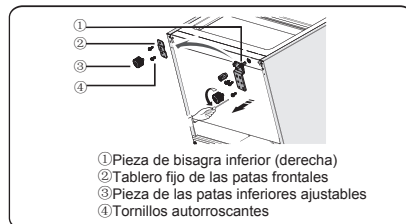
8. Coloque la puerta inferior sobre una superficie suave con el panel hacia arriba. Afloje el tornillo ② y la pieza ① y, a continuación, instálelos en el lado izquierdo y apriételos de forma segura.



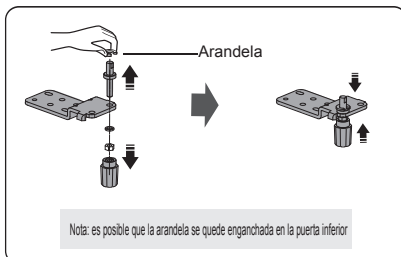
9. Cambie las cubiertas de los orificios de los tornillos de la parte central de la placa de cubierta de izquierda a derecha (como se muestra en la figura siguiente).



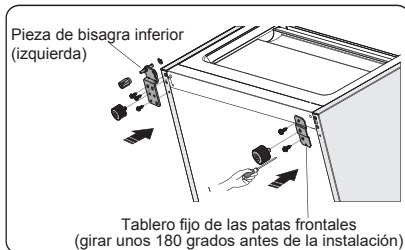
10. Coloque el refrigerador sobre material de embalaje de espuma suave o material similar. Retire las piezas de las patas inferiores ajustables y retire el panel de las patas frontales y la pieza de bisagra inferior desatornillando los tornillos autorroscantes de la brida especial.



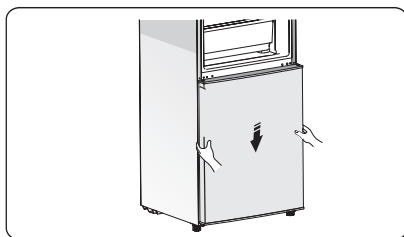
11. Desatornille el eje de la bisagra inferior y retírelo al orificio que está al lado y atorníllelo.



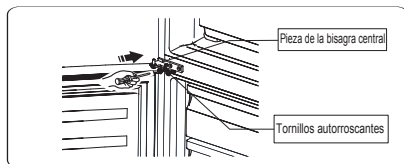
12. Vuelva a colocar la pieza de arandela inferior en el lado izquierdo y fíjela con los tornillos autorroscantes de la brida especial. Vuelva a colocar el panel fijo de las patas frontales en el otro lado y fíjelo con los tornillos autorroscantes de la brida especial. Instale las piezas de las patas inferiores ajustables.



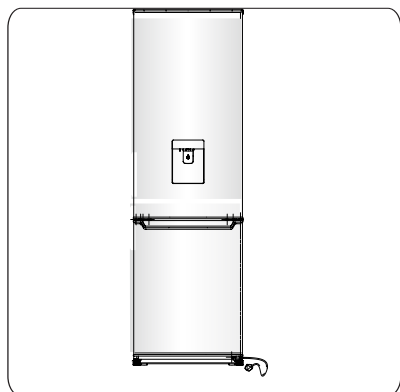
13. Cambie la puerta inferior a la posición de propiedad, ajuste la pieza de bisagra inferior colocando el eje de bisagra en el orificio inferior de la puerta inferior y, a continuación, apriete los tornillos.



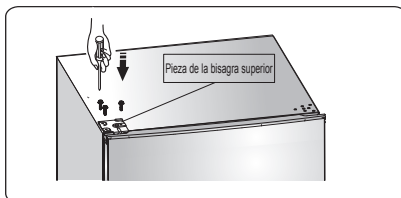
14. Vuelque la pieza de la bisagra central en 180 grados, cámbiela y ajústela en la posición, colocando el eje de la bisagra central en el orificio superior de la puerta inferior y a priete los tornillos.



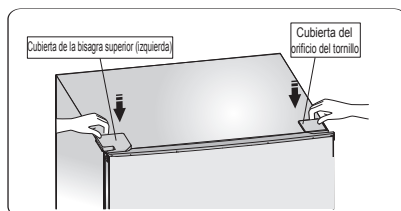
15. Cambie la puerta superior a la posición adecuada. Asegure el nivel de la puerta y coloque el eje de la bisagra central en el orificio inferior de la puerta superior.



16. Cambie la pieza de la bisagra superior y coloque el eje de la bisagra superior en el orificio superior de la puerta superior y ajústela en la posición de la puerta superior (sujete la puerta superior con la mano mientras lo haga), fijando la pieza de la bisagra superior con los tornillos autorroscantes de la brida especial.



17. Instale la cubierta del orificio del tornillo de la esquina superior derecha del refrigerador. Instale la cubierta de la bisagra superior (que está en la bolsa de plástico) en la esquina izquierda. Coloque la otra cubierta de la bisagra superior en la bolsa de plástico.

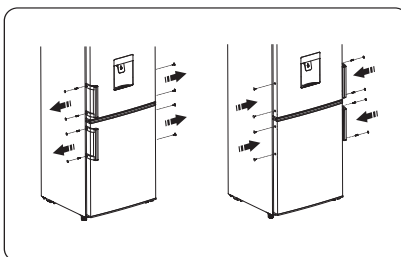


18. Abra la puerta superior e instale los estantes de las puertas y, a continuación, ciérrela.

Advertencia!

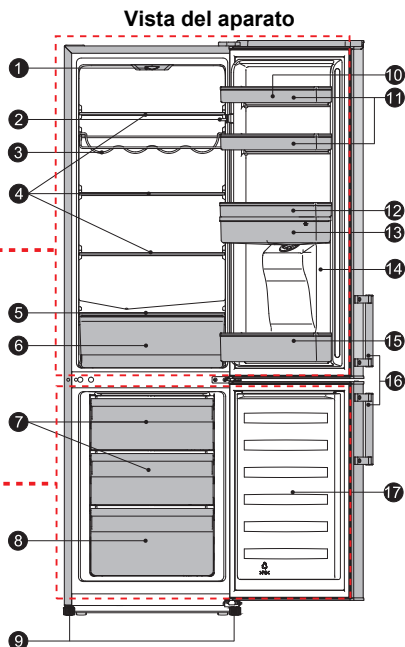
Al cambiar el lado desde el que se abre la puerta, el aparato no debe estar conectado a la corriente. Retire el enchufe de la corriente de antemano.

19. Cambie las asas de izquierda a derecha (solo para el modelo con asas)



Descripción del aparato

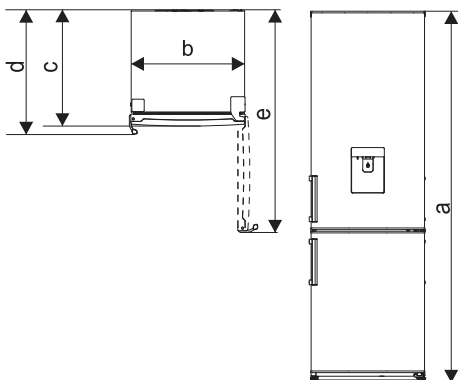
1. Caja controladora y luz LED
2. Interruptor de la puerta
3. Estante de botellas (opcional)
4. Estante
5. Cubierta del recipiente para verduras
6. Cajón del recipiente para verduras
7. Cajón superior del congelador
8. Cajón inferior del congelador
9. Patas inferiores ajustables
10. Bandeja para huevos (interior; opcional)
11. Estante superior
12. Estante central
13. Paquete de caja de almacenamiento de agua
14. Puerta del refrigerador
15. Estante inferior
16. Pieza del asa
17. Puerta del congelador



Nota: Debido al desarrollo constante de nuestros productos, es posible que su refrigerador sea ligeramente diferente al de este manual de instrucciones, pero sus funciones y uso serán idénticos. Para conseguir más espacio en el congelador, puede retirar los cajones (excepto el cajón inferior del congelador) y la bandeja de hielo.

Nota: Para sacarle más partido al producto en cuestiones de energía, coloque todas las estanterías y cajones en la posición original como muestra la imagen anterior.

Parámetros del electrodoméstico	a	b	c	d	e
RB341D4WDF	1800	550	558	/	1065



	Características técnicas
a	Altura
b	Ancho
c	Profundidad (puerta cerrada sin asa)
d	Profundidad (puerta cerrada con asa)
e	Profundidad (puerta abierta)

Nota: Los parámetros mostrados en la tabla son parámetros de diseño. Debido a varios motivos, habrá una pequeña diferencia entre las dimensiones reales y los parámetros de diseño. Los datos mostrados solo son de referencia.

Operación

Arranque y regulación de temperatura

- Inserte el enchufe del plomo de conexión a la toma con el contacto de tierra protector. Cuando la puerta del compartimento del refrigerador esté abierta, la iluminación interna se encenderá. Después de poner el refrigerador en posición, espere 5 minutos antes de conectarlo a la electricidad. No almacene nada hasta que la temperatura interior del refrigerador sea lo bastante baja.
- La perilla de selección de temperatura se encuentra en la parte superior del compartimento refrigerador.

Ajuste 0 significa:

Apagado.

Gire la perilla en el sentido de las agujas del reloj para encender el aparato.

Ajuste 1 significa:

Temperatura más alta, ajuste más caliente.

Ajuste 7 (posición final) significa:

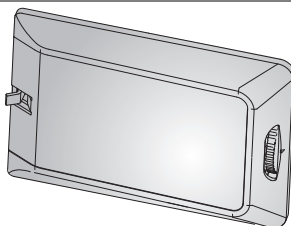
Temperatura más baja, ajuste más frío.

Importante! Para una preservación óptima de la comida, normalmente un ajuste medio es lo más adecuado. Si desea una temperatura más alta o más fría, gire la perilla a un ajuste más caliente o frío en correspondencia. Cuando gire la perilla a una temperatura más fría puede conseguir una mejor eficiencia energética. De lo contrario, consumiría demasiada energía.

Nota: Las temperaturas altas pueden hacer que los alimentos se estropeen más rápido.

Importante! Las temperaturas ambientales elevadas (p. ej. en días calurosos de verano) y con un ajuste frío (posición 6 o 7) podrían hacer que el compresor funcione continuamente e incluso sin interrupción.

Motivo: cuando la temperatura ambiente es elevada, el compresor debe funcionar continuamente para mantener la temperatura baja dentro del aparato.



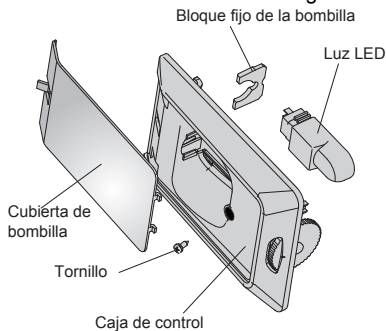
Cambiar la luz LED



Advertencia! Si la luz LED está dañada. ¡EL USUARIO NO DEBE CAMBIARLA!

Si personas no experimentadas cambian la luz LED, podrían provocar lesiones o malos funcionamientos graves. La debe sustituir una persona cualificada para evitar riesgos. Póngase en contacto con su Centro de Mantenimiento para solicitar ayuda.

- Antes de cambiar la luz LED, apague el aparato y desenchúfelo o gire el fusible o el interruptor
- Datos de la luz LED: 220-240 V, LED MÁX. 1,5 W
- Para apagar el aparato, coloque el regulador de temperatura en la posición "0".
- Desenchufe el enchufe eléctrico.
- Presione la cubierta de la luz LED y deslícela hacia atrás.
- Para cambiar la luz LED, desatornille el tornillo.
- Retire el bloque fijo de la luz LED para cambiar la luz LED defectuosa.
- Vuelva a colocar el bloque fijo de la luz LED, la cubierta de bombilla y el tornillo.
- Vuelva a hacer funcionar el refrigerador.

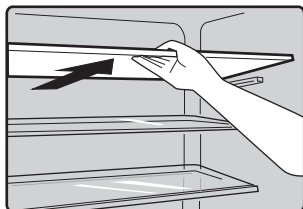


Usar el aparato

Accesorios 1)

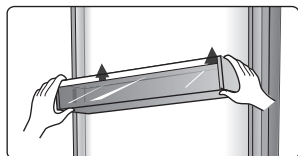
Estantes/bandejas móviles

- El aparato incluye diversos estantes de cristal, de plástico o bandejas de varillas. Los diferentes modelos tienen diferentes combinaciones de accesorios y diferentes funciones.
- Las paredes del refrigerador están equipadas con una serie de correedores para poder colocar los estantes en la posición deseada.



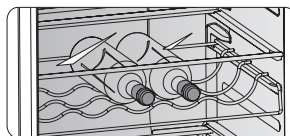
Colocar los estantes de las puertas

- Para permitir el almacenamiento de paquetes de alimentos de diferentes tamaños, se puede colocar los estantes de la puerta en diferentes alturas.
- Para ajustarlo, estire gradualmente del estante en la dirección de las flechas hasta que quede libre y, a continuación, vuelva a colocarlo según desee.



Estante de botellas

- Sirve para guardar vino o bebidas embotelladas y es posible sacarlo para limpiarlo



Cajón de verduras

- Para guardar frutas y verduras.

Cajón del congelador

- Para guardar alimentos congelados

Bandeja de cubitos de hielo

- Para hacer hielo y guardar cubitos de hielo.

Compartimento refrigerador 2)

- Para guardar alimentos que no necesitan ser congelados y diferentes secciones adecuadas a los diferentes tipos de alimentos.

Compartimento congelador 2)

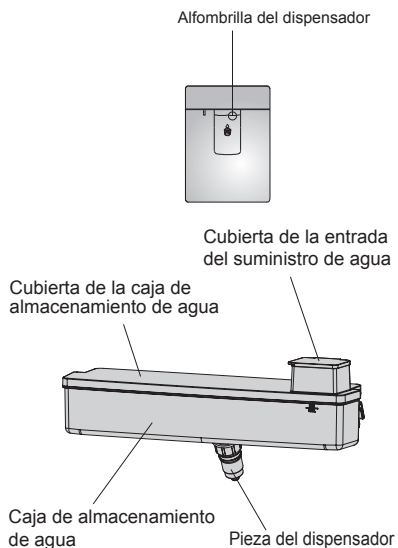
- Para congelar alimentos frescos y guardar alimentos congelados y ultracongelados durante largos periodos de tiempo.

Descongelar alimentos 2)

- En el compartimento refrigerador.
- A temperatura ambiente.
- En un horno microondas.
- En un horno convencional o de convección.
- No se debe volver a congelar los alimentos una vez descongelados.
 - 1). Si el aparato contiene accesorios y funciones relacionados.
 - 2). Si el aparato tiene un compartimento congelador.

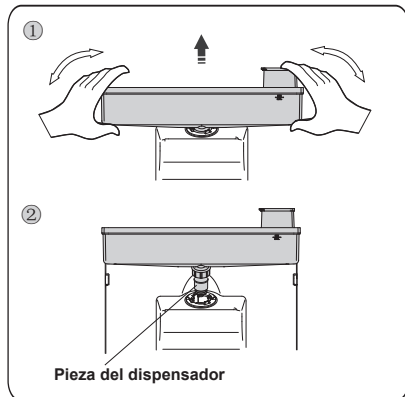
Dispensador de agua

El dispensador de agua, ubicado en la puerta del refrigerador, sirve para guardar agua potable. Con este aparato puede obtener fácilmente agua fría sin abrir el refrigerador. Debe revisar los consejos siguientes.



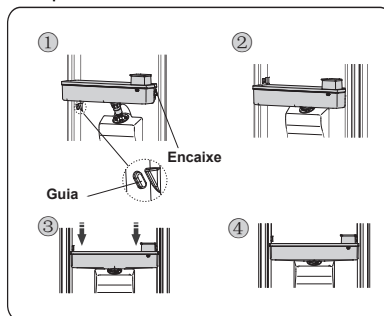
Antes de usar

- Antes de usar el aparato por primera vez, debe usarlo siguiendo estas instrucciones.
 1. Sostenga firmemente los dos lados del depósito de agua y, a continuación, levante el depósito de agua sacudiéndolo hacia arriba y hacia abajo.
 2. Desatornille la cabeza y, a continuación, límpiela y el interior del depósito de agua.



Montaje

- Antes de montarlo, drene el agua del interior del depósito y compruebe si la arandela está invertida o no.
 1. Inserte el cabezal en el orificio.
 2. Encaje el depósito en las guías de la puerta.
 3. Presione los dos lados del depósito.
 4. Cuando escuche un chasquido, significará que la instalación está completada.

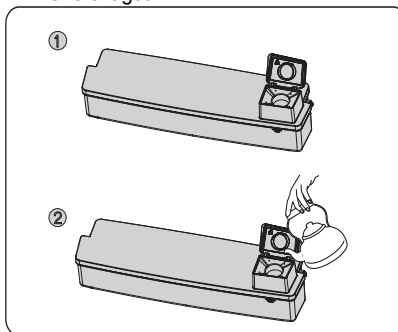


Advertencia!

1. Tenga cuidado de no presionar el cabezal.
2. Cuando instale el depósito de agua, asegúrese de que el cabezal se inserte primero en el orificio.

Llenar agua

1. Abra la cubierta de la entrada del suministro de agua desde el lado izquierdo.
2. Llene el agua.



Precaución!

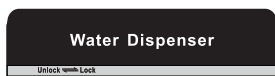
- Llene con agua hasta 2,5 L (recomendado) y no supere el nivel. De lo contrario, podría desbordarse cuando se cierre la tapa.
- No se recomienda usar otras bebidas (leche, zumo, bebidas azucaradas, etc.) que no sean agua potable. En especial, no se debe usar bebidas que contengan cereales (podría provocar fallos).
- No se puede llenar agua caliente directamente en el depósito de agua.

Advertencia!

No toque otras piezas del aparato mientras llene con agua, ya que podría provocar fugas de agua.

Dispensar agua

1. Asegúrese de que la cubierta del depósito de agua esté instalada.
2. Cierre la puerta del refrigerador y compruebe el dispensador.



Desbloquear

Antes de dispensar agua, asegúrese de que el dispositivo de bloqueo esté en el lazo izquierdo, es decir, desbloqueado.

Advertencia!

El bloque se define como "bloqueo de seguridad". No empuje con fuerza la palanca del dispensador hacia delante cuando el dispensador esté en el lado derecho, ya que significa que está bloqueado y podría dañar el mecanismo.

Recibir agua

Debe usar las tazas correctas para recibir agua debajo del dispensador de agua.

**Advertencia!**

No empuje la palanca del dispensador hacia delante sin una taza, ya que podría provocar que escape agua del dispensador.

Limpieza

1. Saque cuidadosamente el depósito de agua de la puerta y, a continuación, lave suavemente el depósito, la tapa y el cabezal con agua.
2. Después de limpiar correctamente el aparato, debe secarlo de forma natural o usando el secador.
3. Si ha usado el dispensador de agua muchas veces, el agua del depósito de recepción podría caer al suelo, lo que haría que el suelo esté mojado y deberá limpiar el depósito con una toalla seca periódicamente antes de que se desborde.



Sugerencias y consejos útiles

Consejos de ahorro de energía

- Le recomendamos que siga estos consejos para ahorrar energía.
- Procure evitar mantener la puerta abierta durante mucho rato para ahorrar energía.
- Asegúrese de que el aparato esté alejado de fuentes de calor (luz del sol directa, hornos o fogones eléctricos, etc.).
- No ajuste una temperatura más fría de lo necesario.
- No guarde alimentos calientes ni líquidos con evaporación en el aparato.
- Coloque el aparato en una habitación bien ventilada y sin humedad. Consulte el capítulo Instalar el aparato nuevo.
- Si el diagrama muestra la combinación correcta de cajones, cajones para verduras y estantes, no la modifique, ya que ha sido diseñada para ofrecer la configuración energética más eficiente.

Sugerencias para refrigerar alimentos frescos

- No coloque alimentos calientes directamente en el frigorífico o el congelador, ya que la temperatura interna aumentará haciendo que el compresor necesite más potencia y consuma más energía.
- Cubra o envuelva los alimentos, en especial si tienen aromas intensos.
- Coloque adecuadamente los alimentos para que el aire pueda circular libremente a su alrededor.

Sugerencias de refrigeración

- Carne (todo tipo), envolver en bolsas de polietileno:
Envuélvala y colóquela en el estante de cristal que hay sobre el cajón de las verduras. Respete siempre los tiempos de almacenamiento y consúmlala según las fechas recomendadas por los fabricantes.

- Alimentos cocinados, platos fríos, etc.:
Deben estar siempre cubiertos y se pueden colocar en cualquier estante.

- Frutas y verduras:
Se deben guardar en el cajón especial incluido.

- Mantequilla y queso:
Se debe envolver en papel hermético o con film plástico.

- Botellas de leche:
Deben tener tapa y se deben guardar en los estantes de la puerta.

Sugerencias de congelación

- Cuando lo encienda por primera vez o después de un largo periodo sin usarlo, deje que el aparato funcione al menos dos horas con los ajustes más altos antes de meter alimentos.
 - Prepare los alimentos en porciones pequeñas para permitir que se congelen rápida y completamente y para que después sea posible descongelar solo la cantidad necesaria.
 - Envuelva los alimentos en papel de aluminio o envoltorio hermético de polietileno para alimentos.
 - No permita que los alimentos frescos descongelados entren en contacto con los alimentos ya congelados para evitar que suba la temperatura de estos últimos.
 - Si se consumen los alimentos congelados inmediatamente después de sacarlos del congelador, podrían causar quemaduras por congelación en la piel.
 - Se recomienda etiquetar y datar cada paquete congelado para mantener un seguimiento de los tiempos de almacenamiento.
- ### Recomendaciones para guardar los alimentos congelados
- Asegúrese de que el vendedor de los

alimentos haya almacenado los alimentos congelados de forma correcta.

● Una vez descongelados, los alimentos se deteriorarán rápidamente y no se deben volver a congelar. No supere el tiempo de almacenamiento indicado por el fabricante de los alimentos.

Apagar el aparato

Si fuera necesario apagar el aparato durante un periodo prolongado, debe

seguir estos pasos para prevenir la aparición de hongos en él.

1. Retire todos los alimentos.
2. Desconecte el enchufe de la toma eléctrica.
3. Limpie y seque completamente el interior.
4. Asegúrese de que todas las puertas queden abiertas ligeramente para permitir que circule el aire.

Limpeza y cuidado

Por motivos de higiene, se debe limpiar periódicamente (al menos cada dos meses) el aparato (incluyendo los accesorios exteriores e interiores).

¡Precaución! El aparato no debe estar conectado a la corriente durante la limpieza, ya que existe el peligro de descarga eléctrica.

¡Peligro de descarga eléctrica! Antes de limpiarlo, apague el aparato y retire el enchufe de la toma de corriente.

Limpeza exterior

-Limpie el panel de control con un paño limpio y suave

-Rocíe agua en el paño de limpieza en lugar de rociarla directamente sobre la superficie del aparato. Esto ayuda a garantizar una distribución uniforme de la humedad por la superficie.

-Limpie las puertas, las asas y las superficies del armario con detergente suave y séquelas con un paño suave.

¡Precaución!

-No use objetos afilados ya que podrían arañar la superficie.

-No utilice disolvente, detergente para vehículos, Clorox, aceite etéreo, limpiadores abrasivos ni disolventes orgánicos, como benceno, para limpiarlo. Podrían dañar la superficie del aparato y provocar un incendio.

Limpeza interior

Debe limpiar periódicamente el interior del aparato. Limpie el interior del refrigerador y el congelador con una solución débil de bicarbonato de sodio

y, a continuación, aclárelo con agua tibia usando una esponja o paño rígido. Séquelo completamente antes de volver a colocar los estantes y las cestas. Seque detenidamente todas las superficies y piezas extraíbles.

Aunque este aparato se descongela automáticamente, podría haber frecuentemente una capa de escarcha en el interior del compartimento congelador o si se deja abierto mucho tiempo. Si la escarcha es demasiado gruesa, elija un momento en el que las existencias de alimentos sean bajas y siga estos pasos:

1. Retire los alimentos y las cestas de accesorios, desenchufe el aparato de la corriente y deje las puertas abiertas. Ventile detenidamente la sala para acelerar el proceso de descongelación.
2. Cuando termine de descongelarlo, limpie el congelador como se describe anteriormente.

¡Precaución! No utilice objetos afilados para retirar la escarcha del compartimento congelador. Solo cuando el interior esté completamente seco, se puede volver a encender el aparato y volver a enchufarlo en la toma eléctrica.

Limpeza de los sellos de la puerta

Procure mantener limpios los sellos de la puerta. Los alimentos y bebidas pegajosas pueden provocar que los sellos se enganchen al armario y se desgarran cuando abra la puerta. Lave el sello con detergente suave y agua tibia. Aclárelo y séquelo detenidamente después de limpiarlo.

¡Precaución! Solo se debe encender el aparato una vez los sellos de la puerta estén completamente secos.

Sustituir la luz LED:

Advertencia: ¡Solo una persona competente debe sustituir la luz LED! Si la luz LED está dañada, póngase en contacto con la línea de atención al cliente para pedir ayuda.

Descongelación

Por qué descongelar

● El agua contenida en los alimentos o que se introduce en el aire del interior del frigorífico al abrir las puertas puede formar capas de escarcha dentro. Cuando la escarcha sea gruesa, debilitará la refrigeración. Cuando tenga un grosor superior a 10 mm, deberá descongelarla.

Descongelar el compartimento de almacenamiento de alimentos frescos

● Se controla automáticamente encendiendo o apagando el regulador de temperatura para que no sea necesario descongelar el aparato. El agua de la descongelación se drenará automáticamente en una bandeja recogegotas mediante una tubería de drenaje en la parte posterior del frigorífico.

Descongelar el compartimento de almacenamiento de alimentos congelados

- La descongelación de la cámara congeladora se realiza manualmente. Antes de descongelarla, saque los alimentos.
- Saque la bandeja de hielo y los alimentos de los cajones o colóquelos temporalmente en el compartimento de alimentos frescos.
- Coloque la perilla del regulador de temperatura en la posición "0" (en la que el compresor dejará de funcionar) y deje la puerta del refrigerador abierta hasta que el hielo y la escarcha se disuelvan completamente y se acumulen en la parte inferior de la cámara congeladora. Seque

el agua con un paño suave.

● Para acelerar el proceso de descongelación, puede colocar un recipiente de agua tibia (unos 50 °C) en la cámara congeladora y rascar el hielo y la escarcha con una espátula de descongelación. Después de hacerlo, asegúrese de establecer la perilla del regulador de temperatura en la posición original.

● No se recomienda calentar directamente la cámara congeladora con agua caliente ni con un secador de pelo mientras la esté descongelando para evitar que la caja interior se deforme.

● Tampoco es recomendable rascar el hielo y la escarcha o los alimentos separados de los contenedores que hayan sido congelados junto a los alimentos con herramientas afiladas o barras de madera para no dañar la caja interior ni la superficie del evaporador.

¡Advertencia! Apague el aparato antes de descongelarlo y coloque el regulador de temperatura en la posición "0".

¡Importante! Se debe descongelar el refrigerador al menos una vez al mes. Durante el proceso de uso, si la puerta se abrió frecuentemente o se usó el aparato con una humedad extrema, recomendamos al usuario que lo descongele cada dos semanas.

Déjelo sin usar durante un tiempo largo

- Retire todos los envases refrigerados.
- Apague el aparato girando el regulador de temperatura a la posición "0".
- Retire el enchufe de la corriente o apague o desconecte la alimentación eléctrica.
- Límpielo detenidamente (consulte la sección: Limpieza y cuidado).
- Deje la puerta abierta para evitar que se acumulen olores.

Nota: Si el aparato tiene compartimento congelador.

Resolución de problemas

Si experimenta problemas con el aparato o le preocupa que no funcione correctamente, puede realizar algunas comprobaciones sencillas antes de llamar al servicio de mantenimiento, consulte a continuación. Puede realizar algunas comprobaciones sencillas indicadas en esta sección antes de llamar al servicio de mantenimiento.

¡Advertencia! No intente reparar el aparato usted mismo. Si el problema persiste después de haber realizado las comprobaciones descritas a continuación, póngase en contacto con un electricista cualificado, un ingeniero de mantenimiento autorizado o con la tienda donde compró el producto.

Problema	Causa posible y solución
El aparato no funciona correctamente	Compruebe si el cable eléctrico está enchufado correctamente a la toma eléctrica.
	Compruebe el fusible o el circuito del suministro eléctrico y sustitúyalos si fuera necesario.
	La temperatura ambiental es demasiado baja. Intente establecer la temperatura de la cámara en un nivel más frío para solucionar este problema.
	Es normal que el congelador no funcione durante el ciclo de descongelación automática, o durante periodos cortos después de encender el aparato para proteger el compresor.
Salen olores de los compartimentos	Es posible que sea necesario limpiar el interior.
	Algunos alimentos, recipientes o envoltorios provocan olores.
Sale ruido del aparato	<p>Los sonidos descritos a continuación son bastante normales:</p> <ul style="list-style-type: none"> ● Ruidos de funcionamiento del compresor. ● Ruido con el movimiento de aire del motor del ventilador pequeño del compartimento de congelado u otros compartimentos. ● Sonido de borboteo parecido al del agua en ebullición. ● Golpeteos durante la descongelación automática. ● Chasquidos antes de que arranque el compresor.
	<p>Otros ruidos inusuales pueden ser debidos a los motivos descritos a continuación y es posible que deba comprobarlos y tomar medidas:</p> <ul style="list-style-type: none"> ● El armario no está nivelado. ● La parte trasera del aparato toca la pared. ● Las botellas o recipientes se caen o ruedan.

El motor funciona continuamente.	<p>Es normal escuchar periódicamente el sonido del motor, que deberá funcionar con más intensidad en las siguientes circunstancias:</p> <ul style="list-style-type: none"> ● La temperatura establecida es más fría de lo necesario. ● Se ha guardado recientemente una gran cantidad de alimentos calientes en el aparato. ● La temperatura exterior del aparato es demasiado elevada. ● Las puertas han estado abiertas demasiado rato o con mucha frecuencia. ● Después de instalar el aparato o cuando ha estado apagado durante mucho tiempo.
Hay una capa de escarcha en el compartimento	<p>Compruebe que las salidas de aire no estén bloqueadas con alimentos y asegúrese de que la comida esté colocada dentro del aparato de forma que permita una ventilación suficiente. Asegúrese de que la puerta esté completamente cerrada. Para ver cómo eliminar la escarcha, consulte el capítulo Limpieza y mantenimiento.</p>
La temperatura interna es demasiado cálida	<p>Asegúrese de que los alimentos estén colocados dentro del aparato de forma que permitan una ventilación suficiente. Asegúrese de que la puerta esté cerrada completamente. Para retirar la escarcha, consulte el capítulo de Limpieza y cuidado.</p>
La temperatura interna es demasiado fría	<p>Aumente la temperatura según se indica en el capítulo “Controles del panel de visualización”.</p>
Las puertas no se pueden cerrar fácilmente	<p>Compruebe que la parte superior del frigorífico esté inclinada hacia atrás unos 10-15 mm para permitir que las puertas se cierren solas, o si hay algo dentro que evita que se cierren.</p>
Gotea agua al suelo	<p>Es posible que el recipiente de agua (ubicado en la parte inferior trasera del armario) no esté nivelado correctamente, o que la boquilla de drenaje bajo el depósito del compresor no esté posicionada correctamente para dirigir el agua hacia dicho recipiente, o que la boca esté bloqueada. Es posible que deba apartar el frigorífico de la pared para comprobar el recipiente y la boquilla.</p>
La luz no funciona	<ul style="list-style-type: none"> ● Es posible que la luz LED esté dañada. Consulte cómo sustituir las luces LED en el capítulo “Limpieza y mantenimiento”.

Eliminación del aparato

Está prohibido eliminar este aparato con los residuos domésticos.


Material de embalaje

Los materiales de embalaje con el símbolo de reciclaje son reciclables. Arroje el embalaje al contenedor de recogida de residuos adecuado para reciclarlo.

Antes de eliminar el aparato

1. Desconecte el enchufe de la toma eléctrica.
2. Corte el cable eléctrico y elimínelo con el enchufe.

ADVERTENCIA! Lfrigoríficos contienen refrigerante y gases en el aislamiento. Un profesional debe eliminar el refrigerante y los gases, ya que podrían provocar lesiones oculares o prenderse. Asegúrese de que el tubo del circuito refrigerante no esté dañado antes de eliminarlo de forma adecuada.

	Eliminación correcta del producto
	<p>Este símbolo en el producto o en su embalaje indica que no se debe tratar como residuos domésticos. En su lugar, se debe llevar al punto de recogida de residuos adecuados para reciclar el equipo eléctrico y electrónico. Al asegurarse de que este producto se elimina correctamente, ayudará a prevenir las consecuencias negativas potenciales para el entorno y la salud humana, que de lo contrario podrían ser causadas por la manipulación inadecuada de los residuos de este producto. Para más información detallada acerca del reciclaje de este producto, póngase en contacto con el servicio de eliminación de residuos domésticos de su ayuntamiento o con la tienda donde compró el producto.</p>

Para evitar contaminaciones alimentarias, siga estas instrucciones

- Abrir la puerta durante largos periodos puede provocar un aumento significativo de la temperatura de los componentes del aparato.
- Limpie periódicamente las superficies que puedan entrar en contacto con los alimentos y los sistemas de drenaje accesibles.
- Limpie los tanques de agua si no se han usado en 48 h.
- Almacene la carne y el pescado crudos en contenedores adecuados en el refrigerador, de forma que no toquen ni goteen sobre otros alimentos.
- Los compartimentos de dos estrellas para alimentos congelados son aptos para almacenar alimentos precongelados, almacenar o hacer helado y cubitos de hielo. - Los compartimentos de una, dos y tres estrellas no son adecuados para congelar alimentos frescos.
- Si el frigorífico está vacío durante periodos largos, apáguelo, descongélelo, límpielo, séquelo y deje la puerta abierta para evitar que se cree moho en el electrodoméstico.

Orden	Compartimentos TIPO	Temp. de almacenamiento objetivo [°C]	Alimentos adecuados
1	Nevera	+2 ~ +8	Huevos, alimentos cocidos, alimentos envasados, frutas y verduras, productos lácteos, pasteles, bebidas y otros alimentos que no son adecuados para la congelación.
2	(***)*-Congelador	≤ -18	Mariscos (pescado, camarones, mariscos), productos acuáticos de agua dulce y productos cármicos (El tiempo recomendado es de 3 meses: los valores nutricionales y el sabor disminuyen con el tiempo), adecuados para alimentos frescos congelados.
3	***-Congelador	≤ -18	Mariscos (pescado, camarones, mariscos), productos acuáticos de agua dulce y productos cármicos (El tiempo recomendado es de 3 meses: los valores nutricionales y el sabor disminuyen con el tiempo). No es adecuado para congelar alimentos frescos.
4	** -Congelador	≤ -12	Mariscos (pescado, camarones, mariscos), productos acuáticos de agua dulce y productos cármicos (El tiempo recomendado es de 2 meses: los valores nutricionales y el sabor disminuyen con el tiempo). No es adecuado para congelar alimentos frescos.
5	*-Congelador	≤ -6	Mariscos (pescado, camarones, mariscos), productos acuáticos de agua dulce y productos cármicos (El tiempo recomendado es de 1 mes: los valores nutricionales y el sabor disminuyen con el tiempo). No es adecuado para congelar alimentos frescos.
6	0 estrellas	-6 ~ 0	Cerdo fresco, carne de res, pescado, pollo, algunos alimentos procesados envasados, etc. (Recomendado para comer dentro del mismo día, preferiblemente no más tarde de 3 días). Alimentos procesados encapsulados parcialmente embalados / envueltos (alimentos no congelables)
7	Enfriar	-2 ~ +3	Cerdo, ternera, pescado y pollo frescos/congelados, productos de agua dulce, etc. (7 días por debajo de 0 °C y por encima de 0 °C, se recomienda consumir durante el mismo día, preferiblemente no más de 2 días). Marisco (menos de 0 durante 15 días, no se recomienda almacenar por encima de 0 °C).

8	Alimentos frescos	0 ~ +4	Cerdo, ternera, pescado y pollo frescos, alimentos cocinados, etc. (se recomienda comer durante el mismo día, preferiblemente no más de 3 días).
9	Vino	+5 ~ +20	Vino tinto, vino blanco, vino espumoso, etc.

Nota: almacene los diferentes alimentos según compartimentos o la temperatura de almacenamiento objetivo de los productos adquiridos.

- Si el refrigerador permanece vacío durante mucho tiempo, desenchúfelo, descongele, limpie, seque y deje la puerta abierta para prevenir la formación de moho en el interior.

Limpieza del dispensador de agua (especial para productos de dispensador de agua:

- Limpie los depósitos de agua si no se utilizan durante 48 horas; enjuague el sistema de agua conectado a un suministro de agua si no se ha sacado agua en 5 días.

Hisense

life reimagined